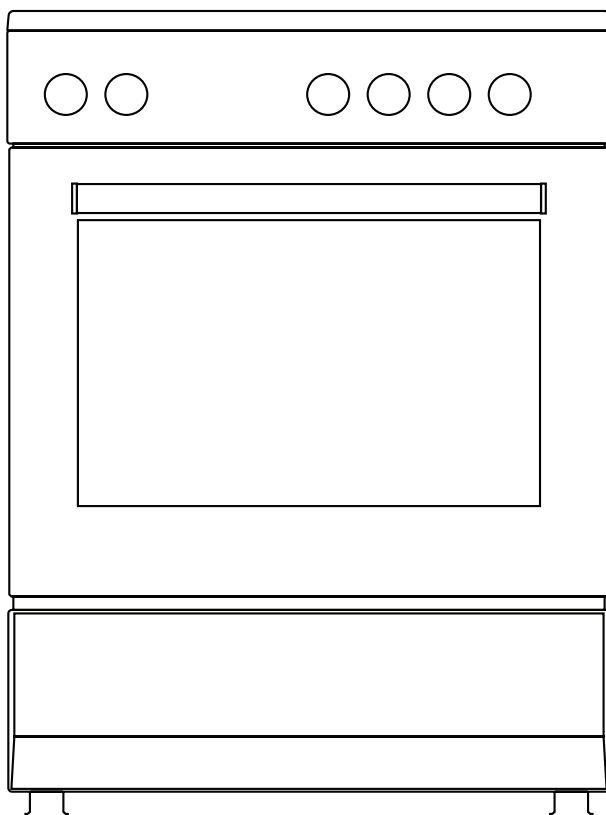


FREE STANDING OVEN

50x55 / 50x60 / 60x60

Electrical oven

Φούρνος ρεύματος



H10-20-180-126 Rev 008

USER MANUAL **GB**
ΟΔΗΓΙΕΣ ΧΡΗΣΗΣ **GR**

Dear User,

Our objective is to make this product provide you with the best output which is manufactured in our modern facilities in a careful working environment, in compliance with total quality concept.

Therefore, we suggest you to read the user manual carefully before using the product and, keep it permanently at your disposal.

Note: This user manual is prepared for more than one model. Some of the features specified in the Manual may not be available in your appliance.

All our appliances are only for domestic use, not for commercial use.

Products marked with (*) are optional.

“Conforms with the WEEE Regulations.”

Contents

Important warnings.....	4
Methods for protecting ceramic glass cooking surface.....	13
Electrical connection.....	14
Introduction of the appliance.....	15
Accessories.....	16
Technical features of your oven.....	17
Installation of your oven.....	18
Chain lashing illustration.....	20
Control panel.....	20
Using oven section.....	21
Using the grill.....	22
Using the chicken roasting.....	22
Using cooker section.....	23
Program types.....	25
Cooking time table.....	26
Maintenance and cleaning.....	27
Installation of the oven door.....	28
Cleaning and maintenance of the Oven's front door glass.....	29
Changing the oven lamp.....	29
Catalytic walls.....	30
Rack positions.....	30
Using the grill deflector sheet.....	31
Troubleshooting.....	32
Handling rules.....	34
Recommendations for energy saving.....	34
Environmentally-friendly disposal.....	35
Package information.....	35

IMPORTANT WARNINGS

1. Installation and repair should always be performed by **“AUTHORIZED SERVICE”**. Manufacturer shall not be held responsible for operations performed by unauthorized persons.
2. Please read this operating instructions carefully. Only by this way you can use the appliance safely and in a correct manner.
3. The oven should be used according to operating instructions.
4. Keep children below the age of 8 and pets away when operating.
5. **WARNING: The accessible parts may be hot while using the grill. Keep away from children.**
6. **WARNING: Fire hazard; do not store the materials on the cooking surface.**
7. **WARNING: The appliance and its accessible parts are hot during operation.**
8. Setting conditions of this device are specified on the label. (Or on the data plate)
9. The accessible parts may be hot when the grill is used. Small children should be kept away.
10. **WARNING: This appliance is intended for cooking. It should not be used for other purposes like heating a room.**
11. To clean the appliance, do not use steam cleaners.

12. Ensure that the oven door is completely closed after putting food inside the oven.

13. NEVER try to put out the fire with water. Only shut down the device circuit and then cover the flame with a cover or a fire blanket.

14. Children under 8 years of age should be kept away, if they cannot be monitored continuously.

15. Touching the heating elements should be avoided.

16. CAUTION: Cooking process shall be supervised. Cooking process shall always be supervised.

17. This device can be used by children over 8 years of age, people with physical, hearing or mental challenges or people with lack of experience or knowledge; as long as control is ensured or information is provided regarding the dangers.

18. This device has been designed for household use only.

19. Children must not play with the appliance. Cleaning or user maintenance of the appliance shall not be performed by children unless they are older than 8 years and supervised by adults.

20. Keep the appliance and its power cord away from children less than 8 years old.

21. Put curtains, tulle, paper or any flammable (ignitable) material away from the appliance before starting to use the appliance. Do not put ignitable or flammable materials on or in the appliance.

- 22.** Keep the ventilation channels open.
- 23.** The appliance is not suitable for use with an external timer or a separate remote control system.
- 24.** Do not heat closed cans and glass jars. The pressure may lead jars to explode.
- 25.** Oven handle is not a towel drier. Do not hang towels, etc. on the oven handle.
- 26.** Do not place the oven trays, plates or aluminium foils directly on the oven base. The accumulated heat may damage the base of the oven.
- 27.** While placing food to or removing food from the oven, etc., always use heat resistant oven gloves.
- 28.** Do not use the product in states like medicated and/or under influence of alcohol which may affect your ability of judgement.
- 29.** Be careful when using alcohol in your foods. Alcohol will evaporate at high temperatures and may catch fire to cause a fire if it comes in contact with hot surfaces.
- 30.** After each use, check if the unit is turned off.
- 31.** If the appliance is faulty or has a visible damage, do not operate the appliance.
- 32.** Do not use the appliance with its front door glass removed or broken.
- 33.** Place the baking paper together with the food into a pre-heated oven by putting it inside a cooker or on an oven accessory (tray, wire grill etc.).

34. Do not put objects that children may reach on the appliance.

35. It is important to place the wire grill and tray properly on the wire racks and/or correctly place the tray on the rack. Place the grill or tray between two rails and make sure it is balanced before putting food on it.

36. Against the risk of touching the oven heater elements, remove excess parts of the baking paper that hang over from the accessory or container.

37. Never use it at higher oven temperatures than the maximum usage temperature indicated on your baking paper. Do not place the baking paper on the base of the oven.


38. When the door is open, do not place any heavy object on the door or allow children to sit on it. You may cause the oven to overturn or the door hinges to be damaged.

39. The packaging materials are dangerous for children. Keep packaging materials away from the reach of children.

40. Do not use abrasive cleaners or sharp metal scrapers to clean the glass as the scratches that may occur on the surface of the door glass may cause the glass to break.

41. Do not hit glass surfaces of vitro-ceramic cookers with a hard metal, resistance can get damaged. It may cause an electric shock.

- 42.** User should not handle the oven by himself.
- 43.** Food can spill when foot of oven is dismantled or gets broken, be careful. It may cause personal injuries.
- 44.** During usage, the internal and external surfaces of the oven get hot. As you open the oven door, step back to avoid the hot vapour coming out from the interior. There is risk of burning.
- 45.** Upper cover of the oven can be closed for a reason, than cookware can trip over. Step back to avoid the hot food coming on you. There is risk of burning.
- 46.** Do not place heavy objects when oven door is open, risk of toppling.
- 47.** User should not dislocate the resistance during cleaning. It may cause an electric shock.
- 48.** Do not place metal utensils such as knife, fork, spoon on the surface of the appliance, since they will get hot.
- 49.** Do not remove ignition switches from the appliance. Otherwise, live electric cables can be accessed. It may cause an electric shock.
- 50.** Oven supply can be disconnected during any construction work at home. After completing the work, re-connecting the oven shall be done by authorized service.
- 51.** Do not place metal utensils such as knife, fork, spoon on the surface of the appliance, since they will get hot.



52To prevent overheating, the appliance should not be installed behind of a decorative cover.

53. Turn off the appliance before removing the safeguards. After cleaning, install the safeguards according to instructions.

54. Cable fixing point shall be protected.

55. Please don't cook the food directly on the tray / grid. Please put the food into or on appropriate tools before putting them in the oven.

56. CAUTION: If the glass of the stove is broken, turn off any heating element immediately and disconnect the appliance from power source, do not touch the surface of the appliance and do not use the appliance.

Electrical Safety

1. Have an authorized electrician set grounding equipment. Our company shall not be responsible for the damages that shall be incurred due to using the product without grounding according to local regulations.

2. The circuit breaker switches of the oven shall be placed so that end user can reach them when the oven is installed.

3. The power supply cord shall not contact the hot parts of the appliance.

4. If the power supply cord is damaged, this cord shall be replaced by the manufacturer or its service agent or an equally qualified personnel to prevent a hazardous situation.


5. Never wash the product by spraying or pouring water on it! There is a risk of electrocution.

6. WARNING: To avoid electric shock, ensure that the device circuit is open before changing the lamp.

7. WARNING: Cut off all supply circuit connections before accessing the terminals.

8. WARNING: If the surface is cracked, turn off the appliance to avoid risk of electric shock.

9. Do not use cut or damaged cords or extension cords other than the original cord.



10. The rear surface of the oven also heats up when the oven is operated. Electrical connections shall not touch the rear surface, otherwise the connections may be damaged.

11. Do not tighten the connecting cables to the oven door and do not run them over hot surfaces. If the cord melts, this may cause the oven to short circuit and even a fire.

12. If the power supply cable is damaged, it must be replaced by its manufacturer or authorized technical service or any other personnel qualified at the same level, in order to avoid any dangerous situation.

13. Do not use steam cleaners for cleaning the appliance, otherwise electric shock may occur.

14. An omnipolar switch capable to disconnect power supply is required for installation. Disconnection from power supply shall be provided with a switch or an integrated fuse installed on fixed power supply according to building code.

15. Appliance is equipped with a **type “Y”** cord cable.

16. Fixed connections shall be connected to a power supply enabling omnipolar disconnection. For appliances with over voltage category below III, disconnection device shall be connected to fixed power supply according to wiring code.

Intended Use

- 1.** This product has been designed for domestic use. Commercial use is not permitted.
- 2.** This appliance may only be used for cooking purposes. It shall not be used for other purposes like heating a room.
- 3.** This appliance shall not be used to heat plates under the grill, drying clothes or towels by hanging them on the handle or for heating purposes.
- 4.** The manufacturer assumes no responsibility for any damage due to misuse or mishandling.
- 5.** Oven part of the unit may be used for thawing, roasting, frying and grilling food.
- 6.** Operational life of the product you have purchased is 10 years. This is the period for which the spare parts required for the operation of this product as defined is provided by the manufacturer.

Methods for Protecting Ceramic Glass Cooking Surface

Ceramic glass surface is unbreakable and scratch resistant to a certain degree. However, to avoid any damage, please do the following:

1. Never pour cold water on hot cookers.
2. Do not stand on a ceramic glass plate.
3. Sudden pressure, for example, the effect of a falling salt shaker may be critical. So, do not place such objects on a place above the hobs.
4. After each use, make sure that the base of the cooking pot and surfaces of cooking zones are clean and dry.
5. Do not peel vegetables on the hob surfaces. Sand grains falling from the vegetables may scratch the ceramic glass plate.
6. Do not lay flammable materials such as cardboard or plastic on the oven. Objects such as tin, zinc, or aluminium (as well as aluminium foils or empty coffee pots) may melt on hot cooking surfaces and thus cause damage.
7. Take care not to let sugary foods or fruit juices contact the hot cooking zones. The ceramic glass surface may be stained by these.

Electrical Connection

1. Your oven requires 40 Amp fuse for mono phase or 3x16 Amp fuse for 3 phase supply according to electrical power for cooker section has 4 ceramic heater and oven section has electric models. Installation by a qualified electrician is mandatory.

2. Your oven is adjusted in compliance with 220-240V / 380-415V AC,50/60Hz. electric supply. If the mains are different from this specified value, contact your authorized service.

3. Electrical connection of the oven should only be made to connections / sockets with an earth system installed in compliance with local regulations. If there are no connections/sockets with an earth system in place where the oven will be installed, immediately contact a qualified electrician to install. The manufacturer is not responsible for damages that will arise because of the appliance not be connected to an earth system.

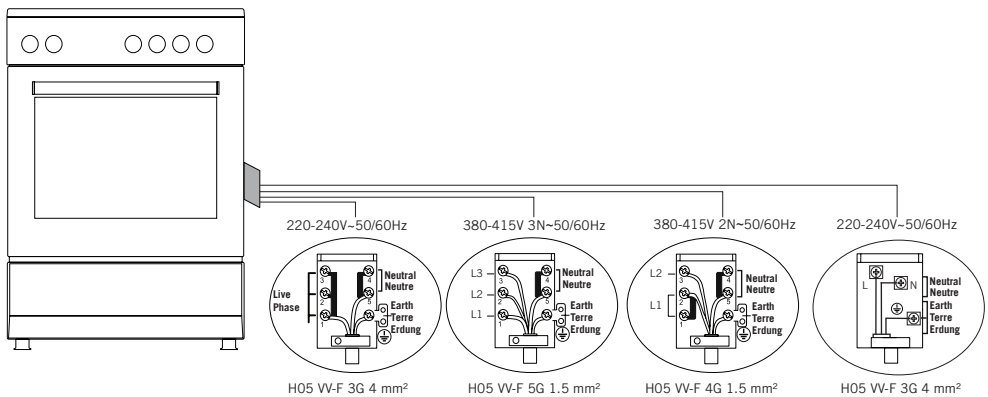
4. If your supply cable gets damaged, it should be replaced by an authorized service agent or qualified electrician in order to avoid danger or electric shock.

5. Electrical cable should not touch the hot parts of the appliance.

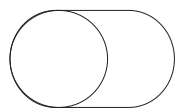
6. Operate your oven in dry atmosphere.

7. When placing your oven to its location, ensure that it is at the counter level. Bring it to the counter level by adjusting the feet if necessary.

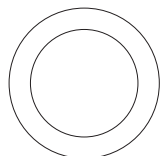
Electrical Connection Scheme



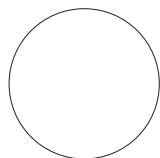
INTRODUCTION OF THE APPLIANCE



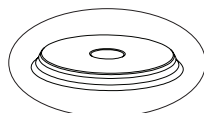
11



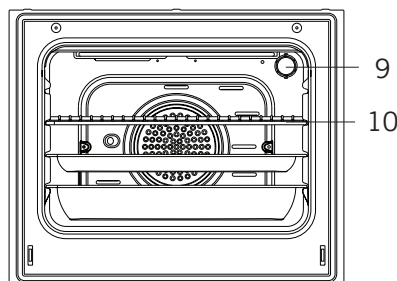
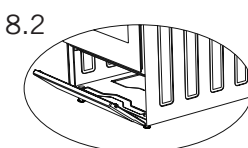
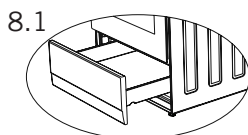
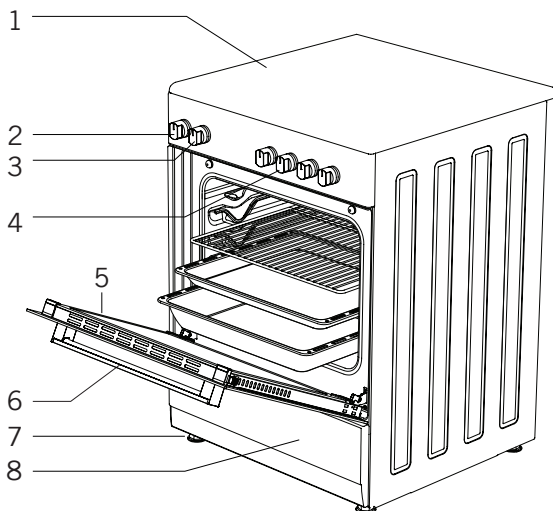
12



13



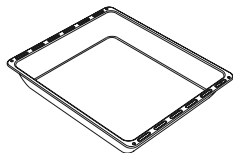
14



- 1. Glass top plate
- 2. Thermostat knob
- 3. Command knob for oven
- 4. Regulators for vitroceramic hobs
- 5. Oven door
- 6. Handle
- 7. Plastic leg
- 8. Lower cabinet door

- 8.1. Drawer
- 8.2. Flap door
- 9. Lamp
- 10. Grill
- 11. Ceramic heater (140 mm / 250 mm)
- 12. Ceramic heater (120 mm / 180 mm)
- 13. Ceramic heater (140 mm or 180 mm)
- 14. Hot plate (145 mm or 185 mm)

Accessories



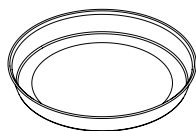
Deep tray *

Used for pastry, big roasts, watery foods. It can also be used as oil collecting container if you roast directly on grill with cake, frozen foods and meat dishes.



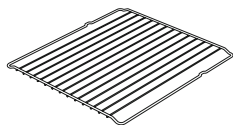
Tray / Glass tray *

Used for pastry (cookie, biscuit etc.), frozen foods.



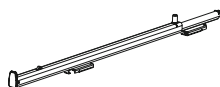
Circular tray *

Used for pastry frozen foods.



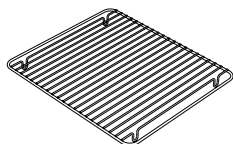
Wire grill

Used for roasting or placing foods to be baked, roasted and frozen into desired rack.



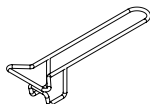
Telescopic rail *

Trays and wire racks can be removed and installed easily thanks to telescopic rails.



In tray wire grill *

Foods to stick while cooking such as steak are placed on in tray grill. Thus contact of food with tray and sticking are prevented.



Tray handle *

It is used to hold hot trays.

Technical features of your oven

Specifications	50x55	50x60	60x60
Outer width	500 mm	500 mm	600 mm
Outer depth	565 mm	630 mm	630 mm
Outer height	855 mm	855 mm	855 mm
Lamp power	15-25 W		
Bottom heating element	1000 W	1000 W	1200 W
Top heating element	800 W	800 W	1000 W
Turbo heating element	-----	1800 W	2200 W
Grill heating element	1500 W	1500 W	2000 W
Supply voltage	220-240V AC/380-415V AC 50/60 Hz		
Hot plate 145 mm *	1000 W		
Hot plate 180 mm *	1500 W		
Hot plate rapid 145 mm *	1500 W		
Hot plate rapid 180 mm *	2000 W		
Ceramic heater 140 mm *	1200 W		
Ceramic heater 180 mm *	1700 W / 1800 W		
Ceramic heater 140 mm / 250 mm *	1800 W		
Ceramic heater 120 mm / 180 mm *	1700 W		

WARNING: For the modification to be done by authorized service, this table should be considered. Manufacturer may not be held responsible for any problems rising because of any faulty modification.

WARNING: In order to increase the product quality, the technical specifications may be changed without prior notice.

WARNING: The values provided with the appliance or its accompanying documents are laboratory readings in accordance with the respective standards. These values may differ depending on the use and ambient conditions.

INSTALLATION OF YOUR OVEN

Check if the electrical installation is proper to bring the appliance in operating condition. If electricity installation is not suitable, call an electrician and plumber to arrange the utilities as necessary. Manufacturer shall not be held responsible for damages caused by operations performed by unauthorized persons.

WARNING: It is customer's responsibility to prepare the location the product shall be placed on and also to have the electrical installation prepared.

WARNING: The rules in local standards about electrical installations shall be followed during product installation.

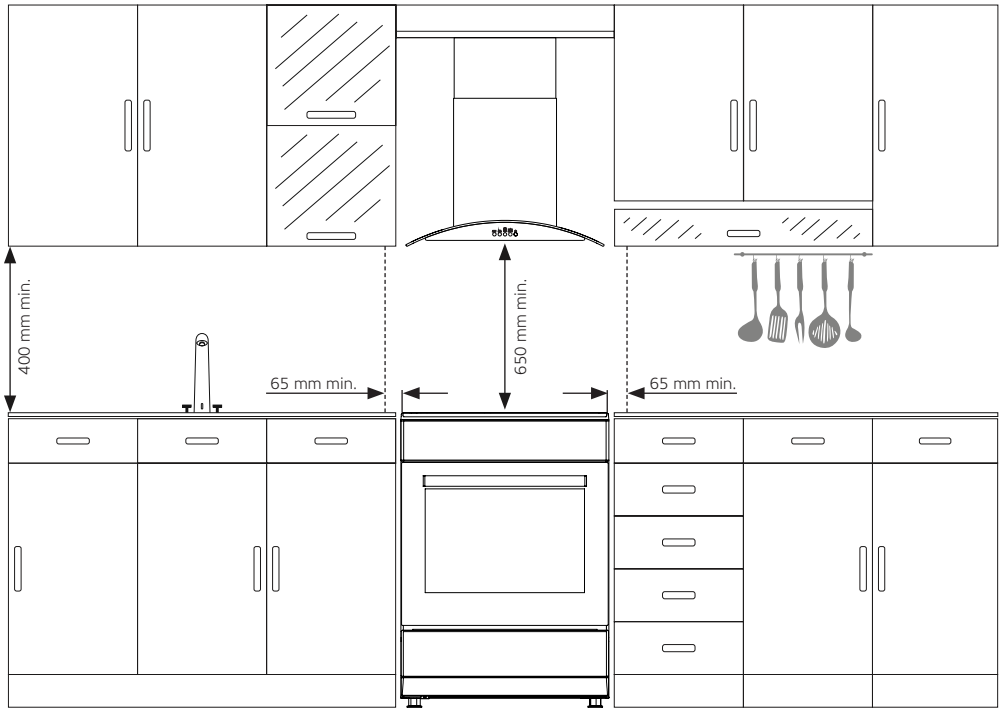
WARNING: Check for any damage on the appliance before installing it. Do not have the product installed if it is damaged. Damaged products cause a risk for your safety.

Right Place for Installation and Important Warnings

Appliance feet should not stay on soft surfaces such as carpets. The kitchen floor shall be durable to carry the unit weight and any other kitchenware that may be used on the oven.

Appliance should be used with a clearance of minimum 400 mm over the upper hob surfaces, and 65 mm from side surfaces inside a kitchen furniture.

The appliance is suitable for use on both side walls, without any support, or without being installed in a cabinet. If a hood or aspirator will be installed above the cooker, follow the instructions of the manufacturer for height of mounting. (min. 650 mm)

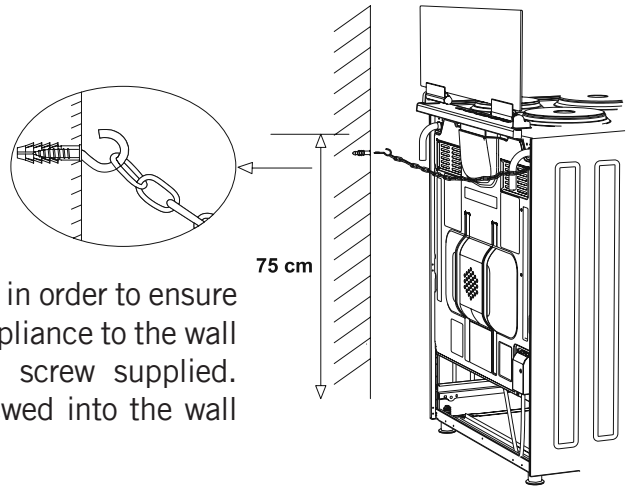


WARNING: The kitchen furniture near the appliance must be heat resistant.

WARNING: Do not install the appliance beside refrigerators or coolers. Heat radiated by the appliance increases the energy consumption of cooling devices.

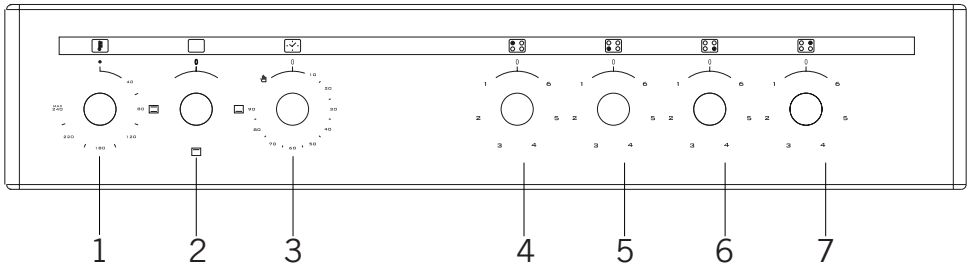
WARNING: Do not use the door and/or handle to carry or move the appliance.

Chain lashing illustration



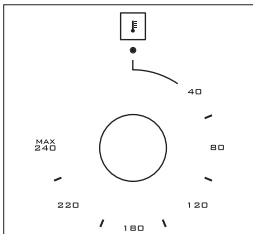
Before using the appliance, in order to ensure safe use, be sure to fix the appliance to the wall using the chain and hooked screw supplied. Ensure that the hook is screwed into the wall securely.

CONTROL PANEL

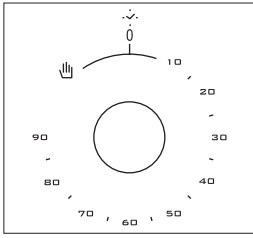


- | | |
|--------------------------------|----------------------------------|
| 1. Thermostat | 5. Front left electrical heater |
| 2. Function selection button | 6. Front right electrical heater |
| 3. Mechanical timer * | 7. Rear right electrical heater |
| 4. Rear left electrical heater | |

WARNING: The control panel above is only for illustration purposes. Consider the control panel on your device.



Thermostat: Used for determining the cooking temperature of the dish to be cooked in the oven. After placing the food inside the oven, turn the switch to adjust desired temperature setting between 40-240 °C. For cooking temperatures of different food, see cooking table.



Mechanical timer*: Used for determining the period for cooking in the oven. When adjusted time is expired, power to heaters is turned off and an audible warnig signal is emitted. Mechanical timer can be adjusted to desired period between 0-90 minutes. For cooking periods, see cooking tables.

USING OVEN SECTION

Using Oven Heating Elements

1. When your oven is operated first time, an odor will be spread out which will be sourced from using the heating elements. In order to get rid of this, operate it at 240 °C for 45-60 minutes while it is empty.
2. Oven control knob should be positioned to desired value; otherwise oven does not operate.
3. Kinds of meals, cooking times and thermostat positions are given in cooking table. The values given in the cooking table are characteristic values and were obtained as a result of the tests performed in our laboratory. You can find different flavors suitable for your taste depending on your cooking and using habits.
4. You can make chicken revolving in your oven by means of the accessories.
5. Cooking times: The results may change according to the area voltage and material having different quality, amount and temperatures.
6. During the time when cooking is being performed in the oven, the lid of the oven should not be opened frequently. Otherwise circulation of the heat may be imbalanced and the results may change.

Using The Grill

1. When you place the grill on the top rack, the food on the grill shall not touch the grill.
2. You can preheat for 5 minutes while grilling. If necessary, you may turn the food upside down.
3. Food shall be in the center of the grill to provide maximum air flow through the oven.

To turn on the grill;

1. Place the function button over the grill symbol.
2. Then, set it to the desired grill temperature.

To turn the grill off;

Set the function button to the off position.

WARNING: Keep the oven door closed while grilling.

Using The Chicken Roasting *

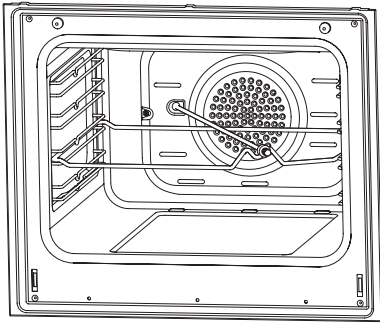


Figure 1

Place the spit on the frame. Slide turn spit frame into the oven at the desired level. Locate a dripping pan through the bottom in order to collect the fat. Add some water in dripping pan for easy cleaning. Do not forget to remove plastic part from spit. After grilling, screw the plastic handle to the skewer and take out the food from oven.

Using Cooker Section

Using And Description Of Hob Section For Vitroceramic

	Level 1	Level 2	Level 3	Level 4	Level 5	Level 6	Level 7	Level 8	Level 9	Max.
140 mm Commutator	130 W	206 W	350 W	500 W	850 W	1200 W	---	---	---	---
180 mm Commutator	180 W	470 W	790 W	850 W	1230 W	1700 W	---	---	---	---
180 mm Regulator	1800 W	1800 W	1800 W	1800 W	1800 W	1800 W	1800 W	1800 W	1800 W	---
140/250 mm	1000 W	1000 W	1000 W	1000 W	1000 W	1000 W	1000 W	1000 W	1000 W	1800 W
120/180 mm Dual Hilight	700 W	700 W	700 W	700 W	700 W	700 W	700 W	700 W	700 W	1700 W

1. You operate the hob with the ring switches on the control panel of oven. This switch regulates the energy in order to reach desired temperature set by you.

2. In order to have a good cooking result from the hob, the pans bottom should be as thick and flat as possible.

3. Bottom of pans and cooking zones should be the same size. If possible, always place lids on the pans. Always place cookware on the cooking zone before it is switched on. Switch cooking zones off before the end of the cooking time, to take advantage of residual heat.

4. Turn the knob to clockwise for starting to operate. Temperature set up by the knob position on the line gradually increasing up to max. (Single zone)

5. For dual cooking zone the first ring operating like single zone; second ring starts to operate after extra turning by some more force to clock wise on the "max" region end of the ring sign. When you turn to counter clock wise, the first ring will operate as maximum range and the second ring's power will reduce up to you desire temperature.

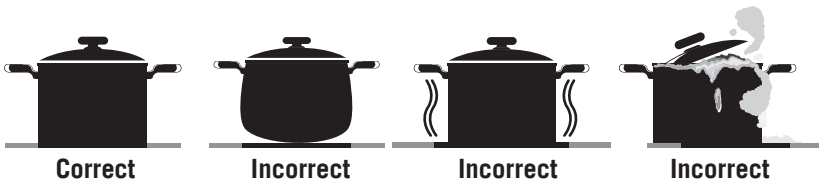
Using Hot Plates

	Level 1	Level 2	Level 3	Level 4	Level 5	Level 6
80 mm	200 W	250 W	450 W	---	---	---
145 mm	250 W	750 W	1000 W	---	---	---
180 mm	500 W	750 W	1500 W	---	---	---
145 mm rapid	500 W	1000 W	1500 W	---	---	---
180 mm rapid	850 W	1150 W	2000 W	---	---	---
145 mm	95 W	155 W	250 W	400 W	750 W	1000 W
180 mm	115 W	175 W	250 W	600 W	850 W	1500 W
145 mm rapid	135 W	165 W	250 W	500 W	750 W	1500 W
180 mm rapid	175 W	220 W	300 W	850 W	1150 W	2000 W
220 mm	220 W	350 W	560 W	910 W	1460 W	2000 W

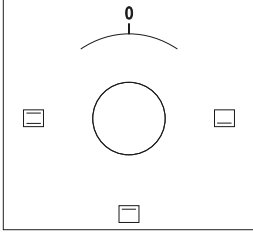
1. Electric hotplates have standard of 6 temperature levels. (as describe herein above)

2. When using first time, operate your electric hotplate in position 6 for 5 minutes. This will make the agent on your hotplate which is sensitive to heat get hardened by burning.

3. Use flat bottomed saucepans which fully contact with the heat as much as you can, so that you can use the energy more productively.



PROGRAM TYPES



Function Button: Used for determining the heaters to be used for cooking the dish to be cooked in the oven. Heater program types in this button and their functions are described below. All heater types and program types consisting of these heaters may not be available at all models.

	Turnspit		Fan
	Top + Bottom heating element		Turbo heating + Fan
	Lamp		Bottom + Top heating elements + Fan
	Bottom heating element + Fan		Grill heating element + Fan
	Grill heating element		Grill burner / Grill heating element
	Grill heating element + Lamp		Top heating element
	Electrical timer		Oven burner / Bottom heating element

WARNING: All heater types and program types consisting of these heaters may not be available at all models.

COOKING TIME TABLE

WARNING: Oven must be preheated for 10 minutes before placing the food in it.

Foods	Cooking Function	Temperature (°C)	Rack Position	Cooking Duration (min.)
Cake (Tray / Mold)	Static / Static+fan	170-180	2	35-45
Small cakes	Static / Turbo+fan	170-180	2	25-30
Patty	Static / Static+fan	180-200	2	35-45
Pastry	Static	180-190	2	25-30
Cookie	Static	170-180	3	20-25
Apple pie	Static / Turbo+fan	180-190	2	50-70
Sponge cake	Static	200/150 *	2	20-25
Pizza	Static+fan	180-200	3	20-30
Lasagna	Static	180-200	2	25-40
Meringue	Static	100	2	60
Chicken	Static+fan / Turbo+fan	180-190	2	45-50
Grilled chicken **	Grill	200-220	4	25-30
Grilled fish **	Grill+fan	200-220	4	25-30
Sirloin steak **	Grill+fan	Max.	4	15-20
Grilled meat balls **	Grill	Max.	4	20-25

* Without pre-heating. Half of the cooking should be 200 °C and then second half should be 150 °C.

** During the half of cooking, meal should be turned around.

MAINTENANCE AND CLEANING

1. While oven is operating or shortly after it starts operating, it is extremely hot. You must avoid touching from heating elements.
2. Never clean the interior part, panel, lid, trays and all other parts of the oven by the tools like hard brush, cleaning mesh or knife. Do not use abrasive, scratching agents and detergents.
3. After cleaning the interior parts of the oven with a soapy cloth, rinse it and then dry thoroughly with a soft cloth.
4. Clean the glass surfaces with special glass cleaning agents.
5. Do not clean your oven with steam cleaners.
6. Before opening the upper lid of the oven, clean spilled liquid off the lid. Also, before closing the lid, ensure that the cooker table is cooled enough.
7. Never use inflammable agents like acid, thinner and gasoline when cleaning your oven.
8. Do not wash any part of your oven in dishwasher.
9. In order to clean the front glass lid of the oven; remove the fixing screws fixing the handle by means of a screwdriver and remove the oven door. Than clean and rinse it thoroughly. After drying, place the oven glass properly and re-install the handle.

Installation Of The Oven Door

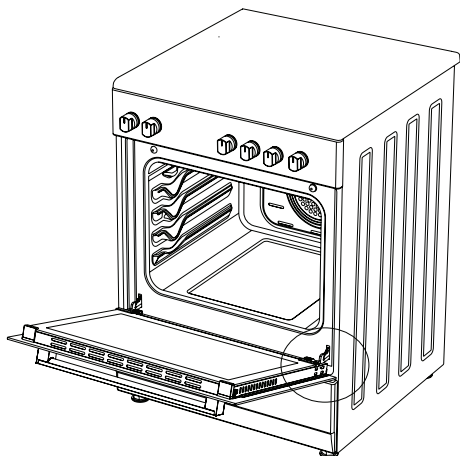


Figure 2

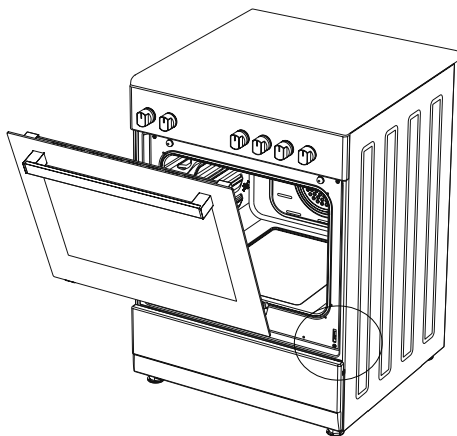


Figure 3

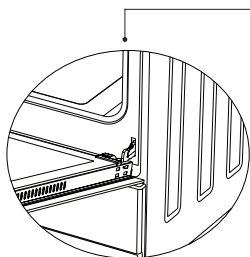


Figure 2.1

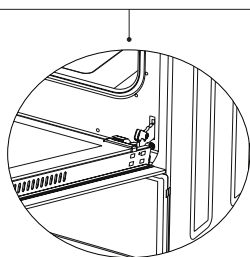


Figure 2.2

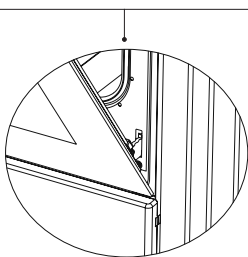


Figure 3.1

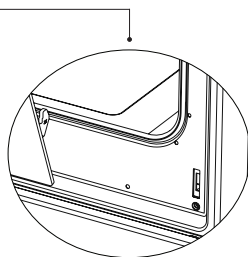


Figure 3.2

Completely open the oven door by pulling it to yourself. Afterwards, perform the unlocking process by pulling the hinge lock upwards with the help of a screw driver as shown in **figure 2.1**.

Bring the hinge lock to the widest angle as shown in **figure 2.2**. Bring both hinges connecting the oven door to the oven to the same position.

Afterwards, close the oven door as to lean on the hinge lock as shown in **figure 3.1**.

To remove the oven door, pull it upwards by holding it with both hands when close to the closed position as shown in **figure 3.2**.

In order to re-place the oven door, perform the abovementioned steps in reverse.

Cleaning And Maintenance Of The Oven's Front Door Glass

Remove the profile by pressing the plastic latches on both left and right sides as shown in figure 4 and pulling the profile towards yourself as shown in figure 5. Then remove the inner-glass as shown in figure 6. If required, middle glass can be removed in the same way. After cleaning and maintenance are done, remount the glasses and the profile in reverse order. Make sure the profile is properly seated in its place.

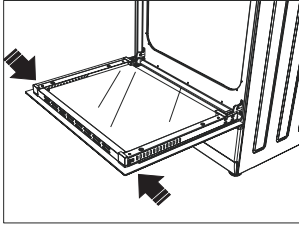


Figure 4

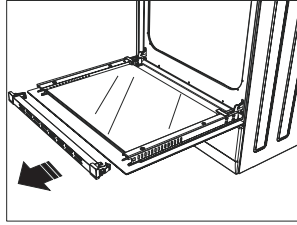


Figure 5

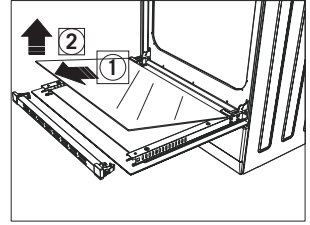


Figure 6

Catalytic Walls *

Catalytic walls are located on the left and the right side of cavity under the guides. Catalytic walls banish the bad smell and obtain the best performance from the cooker. Catalytic walls also absorb oil residue and clean your oven while it's operating.

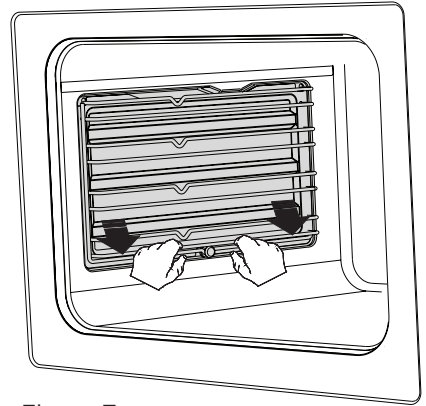
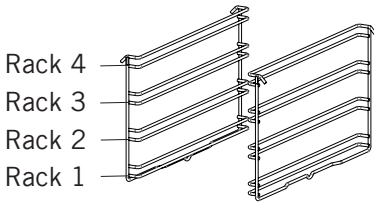


Figure 7

Removing the catalytic walls

In order to remove the catalytic walls; the guides must be pulled out. As soon as the guides are pulled out, the catalytic walls will be released automatically. The catalytic walls must be changed after 2-3 years.

Rack Positions



It is important to place the wire grill into the oven properly. Do not allow wire rack to touch rear wall of the oven. Rack positions are shown in the next figure. You may place a deep tray or a standard tray in the lower and upper wire racks.

Installing and removing wire racks

To remove wire racks, press the clips shown with arrows in the figure, first remove the lower, and then the upper side from installation location. To install wire racks; reverse the procedure for removing wire rack.

Changing The Oven Lamp

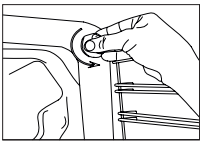
WARNING: To avoid electric shock, ensure that the appliance circuit is open before changing the lamp. (having circuit open means power is off) First disconnect the power of appliance and ensure that appliance is cold.

Remove the glass protection by turning as indicated in the figure on the left side. If you have difficulty in turning, then using plastic gloves will help you in turning.

Then remove the lamp by turning, install the new lamp with same specifications.

Reinstall glass protection, plug the power cable of appliance into electrical socket and complete replacement. Now you can use your oven.

Type G9 Lamp



220-240 V, AC
15-25 W

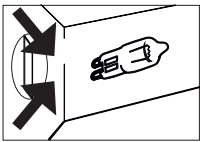
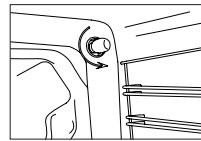


Figure 8

Type E14 Lamp



220-240 V, AC
15 W

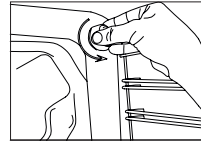


Figure 9

Using The Grill Deflector Sheet *

1. A safety panel is designed to protect control panel and the buttons when the oven is in grill mode. (figure 10)

2. Please use this safety panel in order to avoid the heat to damage control panel and the buttons when the oven is grill mode.

WARNING: Accessible parts may be hot when the grill in use. Young children should be kept away.

3. Place the safety panel under control panel by opening the oven front cover glass. (figure 11)

4. And then secure the safety panel in between oven and front cover by gently closing the cover. (figure 12)

5. It is important for cooking to keep the cover open in specified distance when cooking in grill mode.

6. Safety panel will provide an ideal cooking circumstance while protecting control panel and buttons.

WARNING: If the cooker has the “**closed grill functioned**” option with thermostat, you can keep the oven door closed during operation; in this case the grill deflector sheet will be unnecessary.

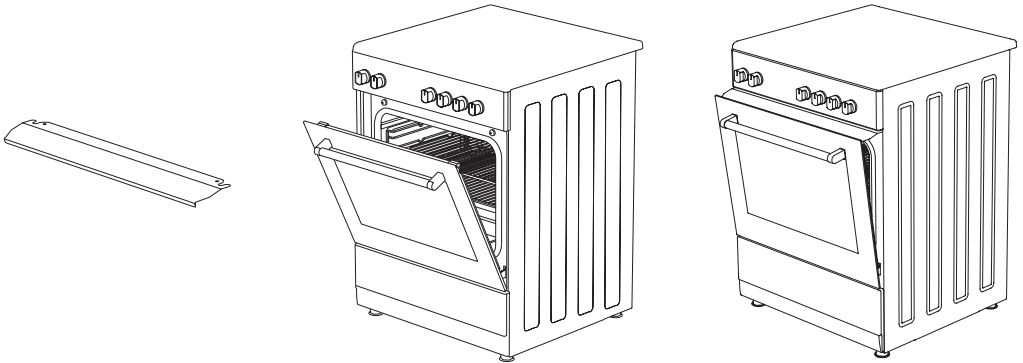


Figure 10

Figure 11

Figure 12

TROUBLESHOOTING

You may solve the problems you may encounter with your product by checking the following points before calling the technical service.

Check Points

In case you experience a problem about the oven, first check the table below and try out the suggestions.

Problem	Possible Cause	What to Do
Oven does not operate.	Power supply not available.	Check for power supply.
Turns off during cooking.	Too long continuous operation.	Let the oven cool down after long cooking cycles.
Oven door is not opening properly.	Food residues jammed between the door and internal cavity.	Clean the oven well and try to re-open the door.
Electric shock when touching the oven.	No proper grounding.	Make sure power supply is grounded properly.
	Ungrounded wall socket is used.	
Water dripping.	Water or steam may generate under certain conditions depending on the food being cooked. This is not a fault of the appliance.	Let the oven cool down and then wipe dry with a dishcloth.
Steam coming out from a crack on oven door.		
Water remaining inside the oven.		
Smoke coming out during operation.	When operating the oven for the first time	Smoke comes out from the heaters. This is not a fault. After 2-3 cycles, there will be no more smoke.
	Food on heater.	Let the oven to cool down and clean food residues from the heater.

Problem	Possible Cause	What to Do
When operating the oven burnt or plastic odour coming out.	Plastic or other not heat resistant accessories are being used inside the oven.	At high temperatures, use suitable glassware accessories.
Oven does not heat.	Oven door is open.	Close the door and restart.
	Oven controls not correctly adjusted.	Read the section regarding operation of the oven and reset the oven.
	Fuse tripped or circuit breaker turned off.	Replace the fuse or reset the circuit breaker. If this is repeating frequently, call an electrician.
Oven does not cook well.	Oven door is opened frequently during cooking.	Do not open oven door frequently, if the food you are cooking does not require turning. If you open the door frequently internal temperature drops and therefore cooking result will be influenced.
Internal light is dim or does not operate.	Foreign object covering the lamp during cooking.	Clean internal surface of the oven and check again.
	Lamp might be failed.	Replace with a lamp with same specifications.

HANDLING RULES

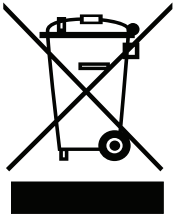
1. Do not use the door and/or handle to carry or move the appliance.
2. Carry out the movement and transportation in the original packaging.
3. Pay maximum attention to the appliance while loading/unloading and handling.
4. Make sure that the packaging is securely closed during handling and transportation.
5. Protect from external factors (such as humidity, water, etc.) that may damage the packaging.
6. Be careful not to damage the appliance due to bumps, crashes, drops, etc. while handling and transporting and not to break or deform it during operation.

RECOMMENDATIONS FOR ENERGY SAVING

Following details will help you use your product ecologically and economically.

1. Use dark coloured and enamel containers that conduct the heat better in the oven.
2. As you cook your food, if the recipe or the user manual indicates that pre-heating is required, pre-heat the oven.
3. Do not open the oven door frequently while cooking.
4. Try not to cook multiple dishes simultaneously in the oven. You may cook at the same time by placing two cookers on the wire rack.
5. Cook multiple dishes successively. The oven will not lose heat.
6. Turn off the oven a few minutes before the expiration time of cooking. In this case, do not open the oven door.
7. Defrost the frozen food before cooking.

ENVIRONMENTALLY-FRIENDLY DISPOSAL



Dispose of packaging in an environmentally-friendly manner.

This appliance is labelled in accordance with European Directive 2012/19/EU concerning used electrical and electronic appliances (waste electrical and electronic equipment - WEEE). The guideline determines the framework for the return and recycling of used appliances as applicable throughout to the EU.

PACKAGE INFORMATION

Packaging materials of the product are manufactured from recyclable materials in accordance with our National Environment Regulations. Do not dispose of the packaging materials together with the domestic or other wastes. Take them to the packaging material collection points designated by the local authorities.

Αγαπητέ Πελάτη,

Στόχος μας είναι να έχετε τα καλύτερα αποτελέσματα από αυτό το προϊόν, το οποίο έχει κατασκευαστεί στις μοντέρνες εγκαταστάσεις μας, σε προσεκτικό περιβάλλον εργασίας και σε συμμόρφωση με τις αρχές της ολικής ποιότητας.

Για το λόγο αυτό, συνιστούμε να διαβάσετε προσεκτικά το εγχειρίδιο χρήσης πριν χρησιμοποιήσετε το προϊόν, και κατόπιν να φυλάξετε το εγχειρίδιο για μελλοντική αναφορά.

Σημείωση: Το παρόν εγχειρίδιο χρήσης έχει συνταχθεί για περισσότερα από ένα μοντέλα. Ορισμένες από τις δυνατότητες που εξηγούνται στο εγχειρίδιο ίσως να μην υπάρχουν στη δική σας συσκευή.

Όλες οι συσκευές μας είναι μόνο για οικιακή χρήση, όχι για επαγγελματική χρήση.

Τα προϊόντα που επισημαίνονται με (*) είναι προαιρετικά.

"Συμμορφώνεται με τους κανονισμούς ΑΗΗΕ (περί Αποβλήτων Ηλεκτρικού και Ηλεκτρονικού Εξοπλισμού)."

Περιεχομενα

Σημαντικες προειδοποιησεις.....	38
Μέθοδοι για την προστασία της κεραμικής πλάκας εστιών.....	49
Σύνδεση στο ηλεκτρικό ρεύμα.....	50
Εισαγωγή στη συσκευή.....	51
Αξεσουάρ.....	52
Τεχνικά χαρακτηριστικά του.....	53
Εγκατάσταση του φούρνου σας.....	54
Απεικόνιση πρόσδεσης με αλυσίδα.....	56
Πίνακας ελέγχου.....	56
Χρήση του τμήματος φουρνου.....	57
Χρήση του γκριλ.....	58
Χρήση σούβλας κοτόπουλου.....	58
Χρήση του τμήματος πλάκας εστιων.....	59
Τύποι προγράμματος.....	61
Πίνακας μαγειρέματος.....	62
Συντήρηση και καθαρισμος.....	63
Αφαίρεση της πορτας του φουρνου.....	64
Καθαρισμος και συντήρηση του τζαμιου στην Μπροστινη πορτα του φουρνου.....	65
Καταλυτικά τοιχώματα.....	65
Θέσεις ραφιών.....	66
Αντικατάσταση λαμπτήρα φουρνου.....	66
Χρήση ανακλαστικού φύλλου για λειτουργία γκριλ.....	67
Αντιμετώπιση προβλημάτων.....	68
Κανόνες χειρισμου.....	70
Προτάσεις για εξοικονομηση ενεργειας.....	70
Απόρριψη με τρόπο φιλικό προς το περιβάλλον.....	71
Πληροφορίες σχετικά με τη συσκευασία.....	71

ΣΗΜΑΝΤΙΚΕΣ ΠΡΟΕΙΔΟΠΟΙΗΣΕΙΣ

1. Οι εργασίες εγκατάστασης και επισκευής πρέπει πάντα να πραγματοποιούνται από το «**ΕΞΟΥΣΙΟΔΟΤΗΜΕΝΟ ΣΕΡΒΙΣ**». Ο κατασκευαστής δεν θα φέρει την ευθύνη για εργασίες που εκτελούνται από μη εξουσιοδοτημένα άτομα.

2. Διαβάστε προσεκτικά τις παρούσες οδηγίες χρήσης. Μόνο με αυτό τον τρόπο θα μπορείτε να χρησιμοποιείτε τη συσκευή με ασφάλεια και με σωστό τρόπο.

3. Ο φούρνος πρέπει να χρησιμοποιείται σύμφωνα με τις οδηγίες χρήσης.

4. Κρατάτε παιδιά κάτω των 8 ετών, καθώς και κατοικίδια ζώα, μακριά από τη συσκευή κατά τη λειτουργία της.

5. **ΠΡΟΕΙΔΟΠΟΙΗΣΗ:** Τα προσπελάσιμα μέρη της συσκευής μπορεί να έχουν υψηλή θερμοκρασία κατά τη χρήση του γκριλ. Κρατάτε μακριά τα παιδιά.

6. **ΠΡΟΕΙΔΟΠΟΙΗΣΗ:** Κίνδυνος πυρκαγιάς: μην αποθηκεύετε υλικά πάνω στην επιφάνεια μαγειρέματος.

7. **ΠΡΟΕΙΔΟΠΟΙΗΣΗ:** Η συσκευή και τα προσπελάσιμα μέρη της έχουν υψηλή θερμοκρασία κατά τη λειτουργία.

8. Οι συνθήκες ρύθμισης για τη συσκευή αυτή αναφέρονται στην ετικέτα. (Η στην πινακίδα στοιχείων)

9. Τα προσπελάσιμα μέρη μπορεί να έχουν υψηλή θερμοκρασία κατά τη χρήση του γκριλ. Κρατάτε μακριά τα μικρά παιδιά.

10. ΠΡΟΕΙΔΟΠΟΙΗΣΗ: Η συσκευή αυτή προορίζεται μόνο για μαγείρεμα. Δεν πρέπει να χρησιμοποιηθεί για άλλους σκοπούς, όπως για θέρμανση του χώρου.

11. Μη χρησιμοποιείτε ατμοκαθαριστές για τον καθαρισμό της συσκευής.

12. Να βεβαιώνετε ότι η πόρτα του φούρνου είναι τελείως κλειστή αφού τοποθετήσετε φαγητό μέσα στο φούρνο.

13. ΠΟΤΕ μην επιχειρήσετε να σβήσετε τη φωτιά με νερό. Μόνο απενεργοποιήστε το κύκλωμα τροφοδοσία της συσκευής και κατόπιν καλύψτε τη φωτιά με ένα κάλυμμα ή μια πυρίμαχη κουβέρτα.

14. Πρέπει να κρατάτε μακριά τα παιδιά κάτω των 8 ετών, αν δεν μπορούν να βρίσκονται υπό συνεχή επίβλεψη.

15. Αποφεύγετε να αγγίζετε τις αντιστάσεις.

16. ΠΡΟΣΟΧΗ: Η διαδικασία του μαγειρέματος πρέπει να επιτηρείται. Η διαδικασία του μαγειρέματος πρέπει πάντα να επιτηρείται.

17. Η συσκευή αυτή μπορεί να χρησιμοποιηθεί από παιδιά ηλικίας άνω των 8 ετών, από άτομα με προβλήματα σωματικά, ακοής ή διανοητικά ή από άτομα με έλλειψη εμπειρίας και γνώσης, εφόσον διασφαλίζεται ο έλεγχος ή παρέχονται πληροφορίες σχετικά με τους κινδύνους.

18. Η συσκευή αυτή έχει σχεδιαστεί για οικιακή χρήση και μόνο.

19. Τα παιδιά δεν πρέπει να παίζουν με τη συσκευή. Ο καθαρισμός ή η συντήρηση της συσκευής από τον χρήστη δεν πρέπει να πραγματοποιείται από παιδιά, εκτός αν είναι άνω των 8 ετών και υπό την επίβλεψη ενήλικου ατόμου.

20. Κρατάτε τη συσκευή και το καλώδιο ρεύματός της μακριά από παιδιά μικρότερα των 8 ετών.

21. Τοποθετήστε κουρτίνες, υφάσματα από τούλι ή άλλα εύφλεκτα (αναφλέξιμα) υλικά μακριά από τη συσκευή πριν αρχίσετε να την χρησιμοποιείτε. Μην τοποθετείτε αναφλέξιμα ή εύφλεκτα υλικά πάνω ή μέσα στη συσκευή.

22. Διατηρείτε τα κανάλια αερισμού ανοιχτά.

23. Η συσκευή δεν είναι κατάλληλη για χρήση με εξωτερικό χρονοδιακόπτη ή ξεχωριστό σύστημα τηλεχειρισμού.

24. Μη θερμαίνετε κλειστά μεταλλικά δοχεία και γυάλινα βάζα. Η πίεση μπορεί να προκαλέσει έκρηξη των βάζων.

25. Η λαβή του φούρνου δεν είναι στεγνωτήριο για πετσέτες. Μην κρεμάτε πετσέτες κλπ.

26. Μην τοποθετείτε τους δίσκους του φούρνου, πιάτα ή αλουμινόχαρτα απευθείας πάνω στη βάση του φούρνου. Η θερμότητα που συσσωρεύεται μπορεί να προκαλέσει ζημιά στη βάση του φούρνου.

27. Όταν τοποθετείτε ή απομακρύνετε φαγητό από το φούρνο κλπ., να χρησιμοποιείτε πάντα γάντια φούρνου ανθεκτικά σε θερμότητα.

28. Μη χρησιμοποιείτε το προϊόν όταν είστε σε καταστάσεις όπως υπό φαρμακευτική αγωγή και/ή υπό την επήρεια αλκοόλ, που μπορούν να επηρεάσουν την κριτική σας ικανότητα.

29. Να είστε προσεκτικοί κατά τη χρήση αλκοόλ στα φαγητά σας. Το αλκοόλ θα εξατμιστεί σε υψηλές θερμοκρασίες και μπορεί να αναφλεγεί και να προκαλέσει φωτιά αν έρθει σε επαφή με καυτές επιφάνειες.

30. Μετά από κάθε χρήση, ελέγχετε αν η μονάδα είναι απενεργοποιημένη.

31. Αν η συσκευή είναι ελαττωματική ή αν έχει κάποια ορατή ζημιά, μην τη χρησιμοποιήσετε.

32. Μη χρησιμοποιείτε τη συσκευή αν η μπροστινή γυάλινη πόρτα της έχει αφαιρεθεί ή σπάσει.

33. Τοποθετήστε το χαρτί ψησίματος μαζί με το φαγητό μέσα σε έναν προθερμασμένο φούρνο, τοποθετώντας το μέσα σε ένα μαγειρικό σκεύος ή πάνω σε ένα αξεσουάρ του φούρνου. (δίσκο, συρμάτινη σχάρα κλπ.)

34. Μην τοποθετείτε πάνω στη συσκευή αντικείμενα που μπορούν να τα φτάσουν τα παιδιά.

35. Είναι σημαντικό να τοποθετείτε τη συρμάτινη σχάρα και το δίσκο σωστά πάνω στα συρμάτινα ράφια και/ή να τοποθετείτε σωστά το δίσκο πάνω στο ράφι. Τοποθετήστε τη σχάρα ή το δίσκο ανάμεσα σε δύο ράγες και βεβαιωθείτε ότι έχει τοποθετηθεί οριζόντια, πριν προσθέσετε το φαγητό.

36. Για αποφυγή του κινδύνου να αγγίξουν τις αντιστάσεις του φούρνου, αφαιρέστε τα τμήματα του χαρτιού ψησίματος που εξέρχουν από το αξεσουάρ ή το δοχείο.

37. Μη χρησιμοποιείτε ποτέ τη συσκευή σε τιμές θερμοκρασίας υψηλότερες από τη μέγιστη θερμοκρασία χρήσης που υποδεικνύεται στο χαρτί ψησίματος. Μην τοποθετείτε το χαρτί ψησίματος απευθείας πάνω στη βάση του φούρνου.

38. Όταν η πόρτα της συσκευής είναι ανοιχτή, μην τοποθετείτε βαριά αντικείμενα πάνω στην πόρτα και μην επιτρέπετε σε παιδιά να καθίσουν πάνω της. Μπορεί να προκαλέσετε ανατροπή του φούρνου ή βλάβη στους μεντεσέδες της πόρτας.

39. Τα υλικά συσκευασίας είναι επικίνδυνα για τα παιδιά. Κρατάτε τα υλικά συσκευασίας μακριά από παιδιά.

40. Μη χρησιμοποιείτε καθαριστικά που χαράζουν ή αιχμηρές μεταλλικές ξύστρες για τον καθαρισμό του γυαλιού, καθώς γρατσουνιές που μπορεί να δημιουργηθούν στην επιφάνεια του γυαλιού της πόρτας μπορεί να προκαλέσουν τη θραύση του.

41. Μη χτυπάτε τις γυάλινες επιφάνειες υαλοκεραμικών πλακών εστιών με σκληρό μέταλλο, μπορεί να προκληθεί βλάβη στην αντίσταση. Μπορεί να προκληθεί ηλεκτροπληξία.

42. Ο χρήστης δεν πρέπει να μετακινεί το φούρνο μόνος του.

43. Ο χρήστης πρέπει να προσέχει κατά τον καθαρισμό των εστιών αερίου. Μπορεί να προκληθούν τραυματισμοί.

44. Το φαγητό μπορεί να χυθεί αν ένα πόδι στήριξης του φούρνου έχει αφαιρεθεί ή σπάσει, προσέχετε. Μπορεί να προκληθούν τραυματισμοί.

45. Κατά τη χρήση, οι εσωτερικές και εξωτερικές επιφάνειες του φούρνου αποκτούν υψηλή θερμοκρασία. Καθώς ανοίγετε την πόρτα του φούρνου, κάντε πίσω για να αποφύγετε τους καυτούς ατμούς που βγαίνουν από το εσωτερικό του. Υπάρχει κίνδυνος καψίματος.

46. Αν το πάνω κάλυμμα του φούρνου κλείσει για κάποιο λόγο, τα μαγειρικά σκεύη μπορεί να ανατραπούν. Κάντε πίσω για να μην πέσει καυτό φαγητό πάνω σας. Υπάρχει κίνδυνος καψίματος.

47. Μην τοποθετείτε βαριά αντικείμενα πάνω στην ανοικτή πόρτα του φούρνου, κίνδυνος ανατροπής.

48. Ο χρήστης δεν θα πρέπει να αφαιρεί την αντίσταση κατά τον καθαρισμό. Μπορεί να προκληθεί ηλεκτροπληξία.

49. Μην αφαιρείτε διακόπτες ανάφλεξης από τη συσκευή. Αλλιώς μπορεί να έρθετε σε επαφή με ηλεκτροφόρα καλώδια υπό τάση. Μπορεί να προκληθεί ηλεκτροπληξία.

50. Η τροφοδοσία του φούρνου μπορεί να αποσυνδεθεί κατά τη διάρκεια οποιασδήποτε κατασκευαστικής εργασίας στο σπίτι. Αφού ολοκληρωθεί η διαδικασία, η επανασύνδεση του φούρνου θα πραγματοποιηθεί από εξουσιοδοτημένο σέρβις.

51. Μην τοποθετείτε μεταλλικά είδη, όπως για παράδειγμα μαχαίρια, πιρούνια ή κουτάλια, πάνω στην επιφάνεια της συσκευής, επειδή θα αποκτήσουν υψηλή θερμοκρασία.

52. Για την αποφυγή υπερθέρμανσης, η συσκευή δεν πρέπει να εγκατασταθεί πίσω από κάποιο διακοσμητικό κάλυμμα.

53. Απενεργοποιείτε τη συσκευή πριν αφαιρέσετε τα προστατευτικά. Μετά τον καθαρισμό, τοποθετήστε τα προστατευτικά σύμφωνα με τις οδηγίες.

54. Το σημείο στερέωσης του καλωδίου στη συσκευή θα πρέπει να προστατεύεται.

55. Μη μαγειρεύετε το φαγητό απευθείας πάνω στο δίσκο / στη σχάρα. Τοποθετείτε το φαγητό μέσα ή πάνω σε κατάλληλα σκεύη πριν τα τοποθετήσετε μέσα στο φούρνο.

56. ΠΡΟΣΟΧΗ: Εάν το κρύσταλλο του φούρνου σπάσει, απενεργοποιήστε αμέσως όλα τα θερμαντικά στοιχεία και αποσυνδέστε τη συσκευή από το ρεύμα. Μην αγγίζετε την επιφάνεια της συσκευής και μη χρησιμοποιήσετε τη συσκευή.

Ασφαλής χρήση ηλεκτρικού ρεύματος

1. Αναθέστε σε εξουσιοδοτημένο ηλεκτρολόγο να εγκαταστήσει τον εξοπλισμό γείωσης. Η εταιρία μας δεν θα φέρει την ευθύνη για ζημιές που μπορεί να προκληθούν λόγω χρήσης του προϊόντος χωρίς γείωση σύμφωνα με τους τοπικούς κανονισμούς.

2. Οι διακόπτες κυκλώματος του φούρνου θα πρέπει να είναι τοποθετημένοι έτσι ώστε ο χρήστης να μπορεί να τους φτάνει όταν θα έχει τοποθετηθεί ο φούρνος.

3. Το καλώδιο τροφοδοσίας ρεύματος δεν πρέπει να έρχεται σε επαφή με καυτά μέρη της συσκευής.

4. Αν έχει υποστεί ζημιά το καλώδιο τροφοδοσίας ρεύματος, το καλώδιο αυτό πρέπει να αντικατασταθεί από τον κατασκευαστή ή τον αντιπρόσωπό του για σέρβις ή από προσωπικό με ισοδύναμα προσόντα, για την αποφυγή επικίνδυνης κατάστασης.

5. Ποτέ μην πλένετε το προϊόν ψεκάζοντας ή χύνοντας νερό πάνω του! Υπάρχει κίνδυνος ηλεκτροπληξίας.

6. ΠΡΟΕΙΔΟΠΟΙΗΣΗ: Για να αποφύγετε ηλεκτροπληξία, βεβαιωθείτε ότι το κύκλωμα της συσκευής είναι αποσυνδεδεμένο από το δίκτυο ρεύματος πριν αντικαταστήσετε τη λάμπα.

7. ΠΡΟΕΙΔΟΠΟΙΗΣΗ: Αποσυνδέετε όλες τις συνδέσεις του κυκλώματος τροφοδοσίας ρεύματος πριν αποκτήσετε πρόσβαση στους ακροδέκτες.

8. ΠΡΟΕΙΔΟΠΟΙΗΣΗ: Αν υπάρχει ρωγμή στην επιφάνεια, απενεργοποιήστε τη συσκευή για να αποφύγετε τον κίνδυνο ηλεκτροπληξίας.


9. Μη χρησιμοποιείτε καλώδια που έχουν κοπεί ή υποστεί ζημιά ή καλώδια επέκτασης εκτός από το αρχικό καλώδιο.

10. Κατά τη λειτουργία του φούρνου θερμαίνεται και η πίσω επιφάνεια του φούρνου. Οι ηλεκτρικές συνδέσεις δεν πρέπει να αγγίζουν την πίσω επιφάνεια, αλλιώς μπορεί να προκληθεί ζημιά στις συνδέσεις.

11. Προσέξτε να μην πιάνονται τα καλώδια σύνδεσης στην πόρτα του φούρνου και μην περνούν πάνω από καυτές επιφάνειες. Αν το καλώδιο λιώσει, αυτό μπορεί να προκαλέσει βραχυκύκλωμα στο φούρνο ή ακόμα και φωτιά.

12. Αν το καλώδιο ρεύματος υποστεί ζημιά, πρέπει να αντικατασταθεί από τον κατασκευαστή του ή από εξουσιοδοτημένο τεχνικό σέρβις ή από άλλο άτομο με προσόντα του ίδιου επιπέδου, για την αποφυγή οποιασδήποτε επικίνδυνης κατάστασης.

13. Μη χρησιμοποιείτε ατμοκαθαριστές για τον καθαρισμό της συσκευής, αλλιώς μπορεί να προκύψει ηλεκτροπληξία.



14. Για την εγκατάσταση απαιτείται ένας διακόπτης αποσύνδεσης όλων των πόλων, που θα είναι ικανός να αποσυνδέσει την τροφοδοσία ρεύματος. Η αποσύνδεση από την παροχή ρεύματος θα επιτυγχάνεται με έναν διακόπτη ή μια ενσωματωμένη ασφάλεια εγκατεστημένη σε μόνιμη τροφοδοσία ρεύματος, σύμφωνα με τον κανονισμό ηλεκτρολογικών εγκαταστάσεων.

15. Η συσκευή είναι εξοπλισμένη με καλώδιο **τύπου "Υ"**.

16. Οι μόνιμες συνδέσεις πρέπει να συνδέονται σε παροχή ρεύματος που επιτρέπει την αποσύνδεση όλων των πόλων. Για συσκευές με κατηγορία υπέρτασης κάτω από III, σε μόνιμη παροχή ρεύματος πρέπει να συνδεθεί διάταξη αποσύνδεσης σύμφωνα με τον κανονισμό ηλεκτρικών εγκαταστάσεων.

Προβλεπόμενη χρήση

1. Αυτό το προϊόν έχει σχεδιαστεί για οικιακή χρήση. Δεν επιτρέπεται η επαγγελματική χρήση της συσκευής.
2. Η συσκευή αυτή επιτρέπεται να χρησιμοποιείται μόνο για μαγείρεμα. Δεν πρέπει να χρησιμοποιείται για άλλους σκοπούς, όπως για θέρμανση του χώρου.
3. Δεν πρέπει να χρησιμοποιείτε αυτή τη συσκευή για να θερμαίνετε πλάκες στο γκριλ, για να στεγνώνετε ρούχα ή πετσέτες κρεμώντας τα στη λαβή ή για σκοπούς θέρμανσης του χώρου.
4. Ο κατασκευαστής δεν αποδέχεται καμία ευθύνη για οποιαδήποτε ζημία λόγω κακής χρήσης ή κακής μεταχείρισης.
5. Το τμήμα φούρνου της μονάδας μπορεί να χρησιμοποιείται για ξεπάγωμα, ψήσιμο, τηγάνισμα και ψήσιμο σε σχάρα.
6. Ο λειτουργικό χρόνος ζωής του προϊόντος που προμηθευτήκατε είναι 10 έτη. Αυτό είναι το χρονικό διάστημα για το οποίο ο κατασκευαστής θα έχει διαθέσιμα τα ανταλλακτικά που απαιτούνται για την καθορισμένη λειτουργία του προϊόντος.

Μέθοδοι για την προστασία της κεραμικής πλάκας εστιών

Η κεραμική πλάκα είναι άθραυστη και ανθεκτική στις γρατσουниές έως ένα βαθμό. Ωστόσο, για να αποφύγετε τυχόν ζημιά, τηρείτε τα ακόλουθα:

1. Ποτέ μη ρίχνετε κρύο νερό επάνω σε ζεστές εστίες.
2. Μην ανεβαίνετε επάνω στην κεραμική πλάκα.
3. Η ξαφνική πίεση από αντικείμενα, για παράδειγμα όπως αυτή που ασκείται από την πτώση μιας αλατιέρας επάνω στην επιφάνεια της κεραμικής πλάκας, μπορεί να έχει σημαντικές επιπτώσεις. Συνεπώς, μην τοποθετείτε τέτοια αντικείμενα σε θέσεις πάνω από τις εστίες της κουζίνας.
4. Μετά από κάθε χρήση, να βεβαιώνεστε ότι οι βάσεις των μαγειρικών σκευών και οι επιφάνειες της πλάκας εστιών είναι καθαρές και στεγνές.
5. Μην καθαρίζετε λαχανικά επάνω στην πλάκα εστιών. Κόκκοι άμμου που μπορεί να πέσουν από τα λαχανικά ενδέχεται να γρατσουνίσουν την κεραμική πλάκα εστιών.
6. Μη βάζετε εύφλεκτα υλικά όπως χαρτόνι ή πλαστικό μέσα στο φούρνο. Αντικείμενα όπως ο λευκοσίδηρος, ο ψευδάργυρος ή το αλουμίνιο (καθώς και το αλουμινόχαρτο ή τα άδεια μπρίκια καφέ) μπορεί να λιώσουν επάνω στις καυτές επιφάνειες μαγειρέματος και συνεπώς να προκαλέσουν ζημιά.
7. Φροντίστε τα τρόφιμα με ζάχαρη ή οι χυμοί φρούτων να μην έρχονται σε επαφή με τις καυτές εστίες μαγειρέματος. Τα υλικά αυτά μπορεί να λεκιάσουν την επιφάνεια της κεραμικής πλάκας.

Σύνδεση Στο Ηλεκτρικό Ρεύμα

1. Για το φούρνο σας χρειάζεται ασφάλεια 40 A, ανάλογα με την ισχύ της συσκευής. Αν είναι απαραίτητη η εγκατάσταση, συνιστάται να γίνει από ειδικευμένο ηλεκτρολόγο.

2. Ο φούρνος σας έχει ρυθμιστεί για παροχή ρεύματος 220-240 V AC/380-415 V AC 50/60 Hz. Αν το δίκτυο ρεύματος διαφέρει από αυτή την καθορισμένη τιμή, επικοινωνήστε με το εξουσιοδοτημένο σας σέρβις.

3. Η ηλεκτρική σύνδεση του φούρνου θα πρέπει να γίνεται μόνο σε πρίζες με σύστημα γείωσης που είναι εγκατεστημένο σύμφωνα με τους κανονισμούς. Αν δεν υπάρχει σωστή πρίζα με σύστημα γείωσης στο σημείο όπου θα τοποθετηθεί η κουζίνα, επικοινωνήστε αμέσως με έναν ειδικευμένο ηλεκτρολόγο. Ο κατασκευαστής δεν θα φέρει ποτέ την ευθύνη για ζημιές που μπορεί να προκύψουν από σύνδεση της συσκευής σε πρίζες χωρίς σύστημα γείωσης. Αν τα άκρα του ηλεκτρικού καλωδίου σύνδεσης είναι ανοιχτά, σύμφωνα με τον τύπο συσκευής, δημιουργήστε ένα σωστό διακόπτη εγκατεστημένο στο δίκτυο ρεύματος όπου θα μπορούν να αποσυνδέονται όλες οι επαφές σε περίπτωση σύνδεσης / αποσύνδεσης από το δίκτυο ρεύματος.

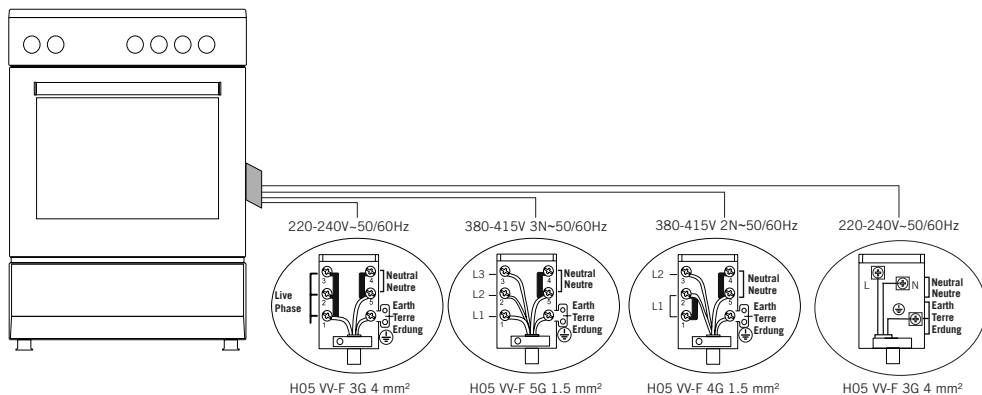
4. Αν το καλώδιο ρεύματος υποστεί βλάβη, πρέπει οπωσδήποτε να αντικατασταθεί από το εξουσιοδοτημένο σέρβις ή ειδικευμένους ηλεκτρολόγους, προκειμένου να αποφευχθούν κίνδυνοι.

5. Το καλώδιο ρεύματος δεν πρέπει να αγγίζει τα ζεστά μέρη της συσκευής.

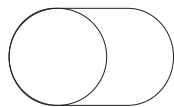
6. Χρησιμοποιείτε το φούρνο σας σε ξηρή ατμόσφαιρα.

7. Όταν τοποθετείτε το φούρνο στη θέση του, βεβαιωθείτε ότι φτάνει στο ύψος του πάγκου. Αν χρειαστεί, φέρτε τον στο ύψος του πάγκου ρυθμίζοντας τα πόδια του.

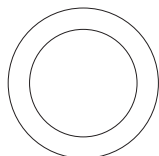
Διάγραμμα ηλεκτρικής σύνδεσης



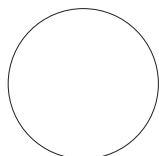
ΕΙΣΑΓΩΓΗ ΣΤΗ ΣΥΣΚΕΥΗ



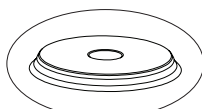
11



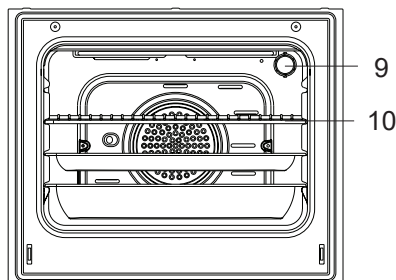
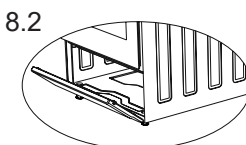
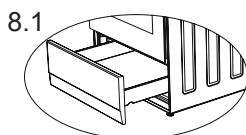
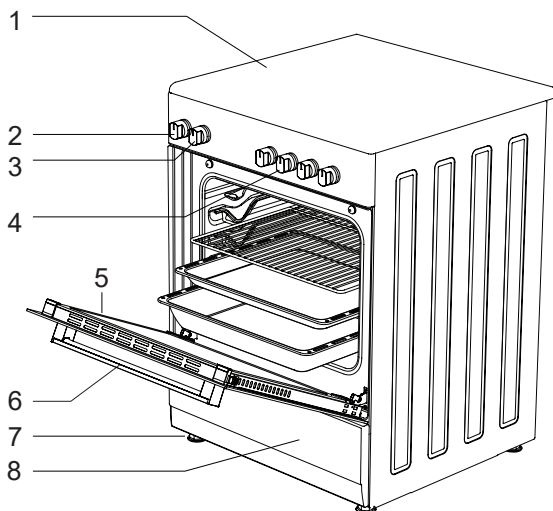
12



13



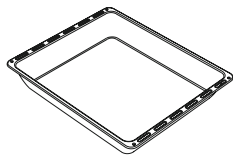
14



1. Κάλυμμα κεραμικής πλάκας εστιών
2. Περιστροφικό κουμπί θερμοστάτη
3. Κουμπί ρύθμισης φούρνου
4. Κουμπιά ρύθμισης θερμοκρασίας κεραμικών εστιών
5. Πόρτα φούρνου
6. Λαβή
7. Πλαστικό ποδαράκι
8. Πόρτα θερμοθάλαμου

- 8.1. Συρτάρι
- 8.2. Ανακλινόμενο πορτάκι
9. Λαμπτήρας
10. Γκριλ
11. Κεραμική εστία (140 mm / 250 mm)
12. Κεραμική εστία (120 mm / 180 mm)
13. Κεραμική εστία (140 mm ή 180 mm)
14. Εστία κουζίνας (145 mm ή 185 mm)

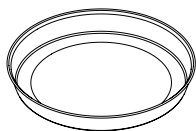
Αξεσουάρ

**Βαθύ ταψί ***

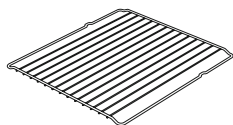
Χρησιμοποιείται για ζαχαροπλαστική, μεγάλα ψητά, υδαρή τρόφιμα. Μπορεί επίσης να χρησιμοποιηθεί ως δοχείο συλλογής του λαδιού, εάν ψήσετε απευθείας στη σχάρα, για κέικ, κατεψυγμένα τρόφιμα και φαγητά με κρέας.

**Ταψί / Ποτήρι ταψί ***

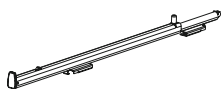
Χρησιμοποιείται για την ζαχαροπλαστική (γλυκίσματα, μπισκότα κ.λπ.), κατεψυγμένα τρόφιμα.

**Στρογγυλό ταψί ***

Χρησιμοποιείται για την ζαχαροπλαστική και κατεψυγμένα τρόφιμα.

**Συρμάτινη σχάρα**

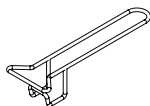
Χρησιμοποιείται για ψήσιμο και/ή τοποθέτηση τροφίμων για ψήσιμο σε ταψί, στη σχάρα και για απόψυξη, στο επιθυμητό ράφι.

**Τηλεσκοπική ράγα ***

Με τη βοήθεια των τηλεσκοπικών ραγών, οι δίσκοι και/ή οι συρμάτινες σχάρες μπορούν να τοποθετούνται και να αφαιρούνται εύκολα.

**Συρμάτινη σχάρα σε ταψί ***

Φαγητά που μπορεί να κολλάνε κατά το μαγείρεμα όπως το μοσχαρίσιο κρέας τοποθετούνται στη σχάρα πάνω σε δίσκο. Έτσι το φαγητό δεν έρχεται σε επαφή και δεν κολλάει.

**Λαβή ταψίου ***

Χρησιμοποιείται για το κράτημα καυτών δίσκων.

Τεχνικά Χαρακτηριστικά Του

Προδιαγραφές	50x55	50x60	60x60
Εξωτερικό πλάτος	500 mm	500 mm	600 mm
Εξωτερικό βάθος	565 mm	630 mm	630 mm
Εξωτερικό ύψος	855 mm	855 mm	855 mm
Ισχύς λάμπας	15-25 W		
Κάτω αντίσταση	1000 W	1000 W	1200 W
Πάνω αντίσταση	800 W	800 W	1000 W
Αντίσταση τούρμπο	-----	1800 W	2200 W
Αντίσταση γκριλ	1500 W	1500 W	2000 W
Τάση τροφοδοσίας	220-240V AC/380-415V AC 50/60 Hz		
Ηλεκτρική εστία 145 mm *	1000 W		
Ηλεκτρική εστία 180 mm *	1500 W		
Ηλεκτρική εστία ταχείας θέρμανσης 145 mm *	1500 W		
Ηλεκτρική εστία ταχείας θέρμανσης 180 mm *	2000 W		
Κεραμική εστία 140 mm *	1200 W		
Κεραμική εστία 180 mm *	1700 W / 1800 W		
Κεραμική εστία 140 mm / 250 mm *	1800 W		
Κεραμική εστία 120 mm / 180 mm *	1700 W		

ΠΡΟΕΙΔΟΠΟΙΗΣΗ: Για την πραγματοποίηση τροποποιήσεων από εξουσιοδοτημένο σέρβις, θα πρέπει να ληφθεί υπόψιν αυτός ο πίνακας. Ο κατασκευαστής δεν θα φέρει την ευθύνη για οποιοδήποτε πρόβλημα προκύψει από κάποια λανθασμένη τροποποίηση.

ΠΡΟΕΙΔΟΠΟΙΗΣΗ: Για λόγους βελτίωσης της ποιότητας του προϊόντος, οι τεχνικές προδιαγραφές μπορεί να αλλάξουν χωρίς προηγούμενη ειδοποίηση.

ΠΡΟΕΙΔΟΠΟΙΗΣΗ: Οι τιμές που παρέχονται με τη συσκευή ή τα συνοδευτικά της έγγραφα είναι εργαστηριακές μετρήσεις σύμφωνες με τα αντίστοιχα πρότυπα. Οι τιμές αυτές μπορεί να διαφέρουν στην πράξη, ανάλογα με τη χρήση του προϊόντος και τις συνθήκες του περιβάλλοντος.

ΕΓΚΑΤΑΣΤΑΣΗ ΤΟΥ ΦΟΥΡΝΟΥ ΣΑΣ

Ελέγξτε αν η ηλεκτρική εγκατάσταση είναι σωστή προκειμένου να φέρετε τη συσκευή σας σε συνθήκες λειτουργίας. Αν η ηλεκτρική εγκατάσταση δεν είναι η κατάλληλη, καλέστε έναν ηλεκτρολόγο και/ή υδραυλικό για την απαιτούμενη προετοιμασία των παροχών. Ο κατασκευαστής δεν θα φέρει την ευθύνη για βλάβες που προκαλούνται από εργασίες που εκτελούνται από μη εξουσιοδοτημένα άτομα.

ΠΡΟΕΙΔΟΠΟΙΗΣΗ: Αποτελεί ευθύνη του πελάτη η προετοιμασία του χώρου όπου θα τοποθετηθεί η συσκευή και επίσης η προετοιμασία της ηλεκτρικής εγκατάστασης.

ΠΡΟΕΙΔΟΠΟΙΗΣΗ: Κατά την εγκατάσταση του προϊόντος, θα πρέπει να τηρούνται οι κανονισμοί των τοπικών αρχών σχετικά με τις ηλεκτρικές εγκαταστάσεις.

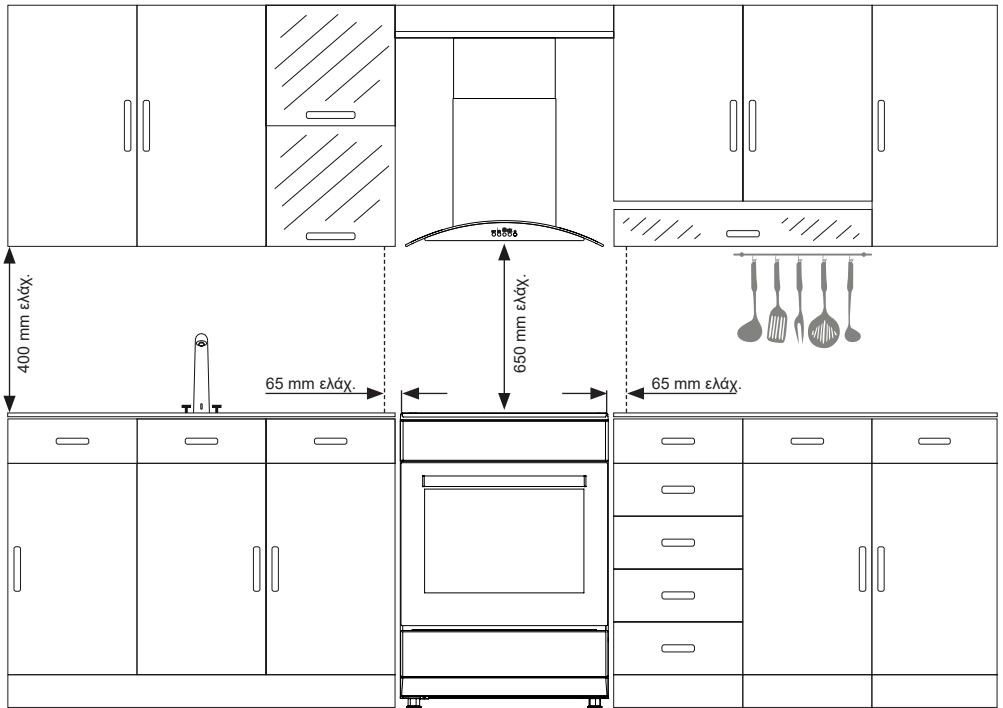
ΠΡΟΕΙΔΟΠΟΙΗΣΗ: Ελέγξτε το προϊόν για τυχόν ζημιά πριν την εγκατάστασή του. Μην εγκαταστήσετε το προϊόν αν έχει υποστεί ζημιά. Τα προϊόντα που έχουν υποστεί ζημιά δημιουργούν κινδύνους για την ασφάλειά σας.

Σωστή θέση εγκατάστασης και Σημαντικές προειδοποιήσεις

Τα πόδια της συσκευής δεν πρέπει να στηρίζονται σε μαλακές επιφάνειες όπως για παράδειγμα πάνω σε χαλιά. Το δάπεδο της κουζίνας πρέπει να αρκετά ανθεκτικό για το βάρος της μονάδας και οποιοδήποτε άλλων σκευών μπορεί να χρησιμοποιούνται στο φούρνο.

Η συσκευή πρέπει να χρησιμοποιείται με διάκενο τουλάχιστον 400 mm πάνω από τις πάνω επιφάνειες των εστιών και 65 mm από τις πλευρικές επιφάνειες εντός ενός επίπλου κουζίνας.

Η συσκευή είναι κατάλληλη για χρήση και στους δύο πλευρικούς τοίχους, χωρίς καμία υποστήριξη ή χωρίς να εγκατασταθεί σε ντουλάπι. Αν πάνω από την πλάκα εστιών πρόκειται να εγκατασταθεί απορροφητήρας ή διάταξη αναρρόφησης και καθαρισμού, τηρείτε τις οδηγίες του κατασκευαστή σχετικά με το ύψος στερέωσης. (ελάχ. 650 mm)

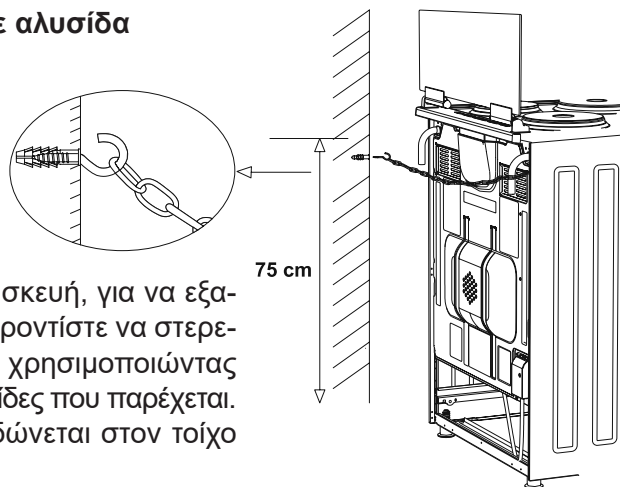


ΠΡΟΕΙΔΟΠΟΙΗΣΗ: Το έπιπλο κουζίνας που είναι κοντά στη συσκευή πρέπει να είναι ανθεκτικό σε θερμότητα.

ΠΡΟΕΙΔΟΠΟΙΗΣΗ: Μην εγκαταστήσετε τη συσκευή δίπλα σε ψυγεία ή καταψύκτες. Η θερμότητα που εκπέμπεται από τη συσκευή αυξάνει την κατανάλωση ενέργειας των συσκευών ψύξης.

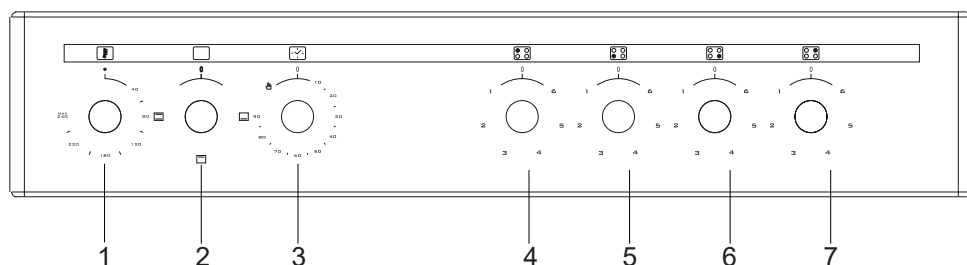
ΠΡΟΕΙΔΟΠΟΙΗΣΗ: Μη χρησιμοποιείτε την πόρτα και/ή τη λαβή για τη μεταφορά ή τη μετακίνηση της συσκευής.

Απεικόνιση πρόσδεσης με αλυσίδα



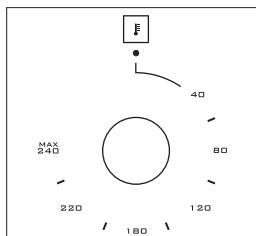
Πριν χρησιμοποιήσετε τη συσκευή, για να εξασφαλιστεί η ασφαλής χρήση, φροντίστε να στερεώσετε τη συσκευή στον τοίχο χρησιμοποιώντας την αλυσίδα και τον γάντζο με βίδες που παρέχεται. Βεβαιωθείτε ότι ο γάντζος βιδώνεται στον τοίχο με ασφάλεια.

ΠΙΝΑΚΑΣ ΕΛΕΓΧΟΥ

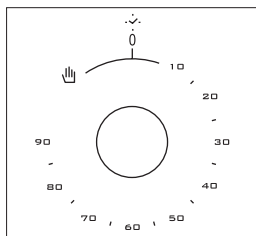


- | | |
|----------------------------------|-------------------------------------|
| 1. Θερμοστάτης | 5. Μπροστά αριστερά ηλεκτρική εστία |
| 2. Κουμπί επιλογής λειτουργίας | 6. Μπροστά δεξιά ηλεκτρική εστία |
| 3. Μηχανικός χρονοδιακόπτης * | 7. Πίσω δεξιά ηλεκτρική εστία |
| 4. Πίσω αριστερά ηλεκτρική εστία | |

ΠΡΟΕΙΔΟΠΟΙΗΣΗ: Ο πίνακας ελέγχου παραπάνω είναι μόνο ενδεικτικός. Ανατρέξτε στον πίνακα ελέγχου στη συσκευή σας.



Θερμοστάτης: Χρησιμοποιείται για τη ρύθμιση της θερμοκρασίας μαγειρέματος του φαγητού που θα μαγειρευτεί στο φούρνο. Αφού τοποθετήσετε το φαγητό μέσα στο φούρνο, περιστρέψτε το διακόπτη για να ρυθμίσετε την επιθυμητή θερμοκρασία σε 40-240 °C. Για θερμοκρασίες μαγειρέματος διάφορων φαγητών, ανατρέξτε στον πίνακα μαγειρέματος.



Μηχανικός χρονοδιακόπτης *: Χρησιμοποιείται για τον καθορισμό του χρόνου μαγειρέματος στο φούρνο. Όταν λήξει ο ρυθμισμένος χρόνος, απενεργοποιείται η τροφοδοσία ρεύματος στις αντιστάσεις και παράγεται ένα ηχητικό σήμα ειδοποίησης. Ο μηχανικός χρονοδιακόπτης μπορεί να ρυθμιστεί στον επιθυμητό χρόνο 0-90 λεπτών. Για χρόνους μαγειρέματος, ανατρέξτε στους πίνακες μαγειρέματος.

ΧΡΗΣΗ ΤΟΥ ΤΜΗΜΑΤΟΣ ΦΟΥΡΝΟΥ

Χρήση Αντιστάσεων Του Τμήματος Φούρνου

1. Κατά την πρώτη λειτουργία του φούρνου σας, θα παραχθεί μια οσμή που θα προέρχεται από τη χρήση των αντιστάσεων. Για να απαλλαγείτε από αυτό, αφήστε το φούρνο να λειτουργήσει στους 240 °C για 45-60 λεπτά χωρίς να περιέχει τίποτα.

2. Το περιστροφικό κουμπί ελέγχου του φούρνου θα πρέπει να τοποθετηθεί στην επιθυμητή τιμή - αλλιώς ο φούρνος δεν θα λειτουργήσει.

3. Τα είδη φαγητών, οι χρόνοι μαγειρέματος και οι θέσεις του θερμοστάτη αναφέρονται στον πίνακα μαγειρέματος. Οι τιμές που αναφέρονται στον πίνακα μαγειρέματος είναι χαρακτηριστικές και αποκτήθηκαν ως αποτέλεσμα δοκιμών που πραγματοποιήθηκαν στο εργαστήριό μας. Μπορείτε να βρείτε διαφορετικές γεύσεις που ταιριάζουν με τις προτιμήσεις σας ανάλογα με τις συνήθειες μαγειρέματος και χρήσης σας.

4. Μπορείτε να φτιάξετε στο φούρνο σας κοτόπουλο σούβλας με τη χρήση των κατάλληλων αξεσουάρ.

5. Χρόνοι μαγειρέματος: Τα αποτελέσματα μπορεί να διαφέρουν ανάλογα με την τάση στην περιοχή σας, αλλά και λόγω διαφορετικών ποιοτήτων, ποσοτήτων και θερμοκρασιών των υλικών.

6. Κατά τη διάρκεια μαγειρέματος στο φούρνο, δεν πρέπει να ανοίγετε συχνά την πόρτα του φούρνου. Αλλιώς η κυκλοφορία της θερμότητας μπορεί να είναι ανομοιόμορφη και να προκύπτουν διαφορετικά αποτελέσματα.

Χρήση Του Γκριλ

1. Όταν τοποθετείτε τη σχάρα στο πάνω ράφι, το φαγητό στη σχάρα δεν πρέπει να έρχεται σε επαφή με το γκριλ.

2. Μπορείτε να προθερμάνετε για 5 λεπτά κατά τη χρήση του γκριλ. Αν απαιτείτε, μπορείτε να γυρίσετε το φαγητό.

3. Το φαγητό θα πρέπει να είναι στο κέντρο της σχάρας για να παρέχεται η μέγιστη ροή αέρα εντός του φούρνου.

Για να ανάψετε το γκριλ:

1. Τοποθετήστε το κουμπί λειτουργίας πάνω από το σύμβολο του γκριλ.

2. Κατόπιν, ρυθμίστε το στην επιθυμητή θερμοκρασία γκριλ.

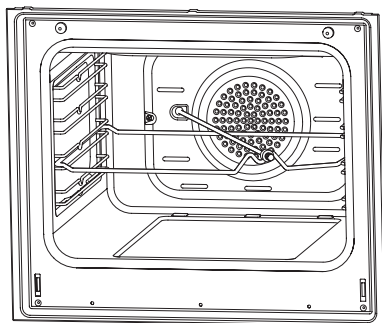
Για να σβήσετε το γκριλ:

Ρυθμίστε το κουμπί λειτουργίας στη θέση απενεργοποίησης.

ΠΡΟΕΙΔΟΠΟΙΗΣΗ: Κρατάτε την πόρτα του φούρνου κλειστή κατά τη χρήση του γκριλ. (ηλεκτρικού γκριλ)

ΠΡΟΕΙΔΟΠΟΙΗΣΗ: Κρατάτε την πόρτα του φούρνου ανοικτή κατά τη χρήση του γκριλ. (γκριλ αερίου)

Χρήση Σούβλας Κοτόπουλου *



Εικόνα 1

Τοποθετήστε τη σούβλα στο πλαίσιο. Στρίψτε ελαφρά το πλαίσιο της σούβλας στο φούρνο στην επιθυμητή στάθμη. Τοποθετήστε ένα ταψί στο κάτω μέρος, προκειμένου να συλλέξει το λίπος. Προσθέστε λίγο νερό στο ταψί για εύκολο καθαρισμό. Μην ξεχάσετε να αφαιρέσετε το πλαστικό μέρος από τη σούβλα. Μετά το ψήσιμο, βιδώστε την πλαστική λαβή στη σούβλα και βγάλτε το φαγητό από το φούρνο.

Χρήση Του Τμήματος Πλάκας Εστιών

Χρησιμοποιώντας και περιγραφή τμήμα μαγειρικές υαλοκεραμική

	Επίπ. 1	Επίπ. 2	Επίπ. 3	Επίπ. 4	Επίπ. 5	Επίπ. 6	Επίπ. 7	Επίπ. 8	Επίπ. 9	Ανώ.
140 mm Εστία	130 W	206 W	350 W	500 W	850 W	1200 W	---	---	---	---
180 mm Εστία	180 W	470 W	790 W	850 W	1230 W	1700 W	---	---	---	---
180mm Εστία	1800 W	1800 W	1800 W	1800 W	1800 W	1800 W	1800 W	1800 W	1800 W	---
140/250 mm	1000 W	1000 W	1000 W	1000 W	1000 W	1000 W	1000 W	1000 W	1000 W	1800 W
120/180 mm Διπλή εστία	700 W	700 W	700 W	700 W	700 W	700 W	700 W	700 W	700 W	1700 W

1. Μπορείτε να χειρίζεστε την πλάκα εστιών με τους περιστροφικούς διακόπτες στον πίνακα ελέγχου του φούρνου. Αυτός ο διακόπτης ρυθμίζει την ενέργεια ώστε να επιτευχθεί η επιθυμητή θερμοκρασία που ρυθμίσατε.

2. Για καλά αποτελέσματα μαγειρέματος από την πλάκα εστιών, η βάση των σκευών θα πρέπει να είναι όσο το δυνατόν πιο μεγάλου πάχους και επίπεδη.

3. Οι βάσεις των σκευών πρέπει να έχουν ίδιο μέγεθος με αυτό των εστιών. Αν είναι δυνατόν, πάντα να σκεπάζετε τα μαγειρικά σκεύη με τα καπάκια τους. Πάντα να τοποθετείτε το μαγειρικό σκεύος πάνω στην εστία πριν την ανάψετε. Σβήνετε τις εστίες πριν τελειώσει ο χρόνος μαγειρέματος, ώστε να εκμεταλλεύεστε την υπολειπόμενη θερμότητα.

4. Γυρίστε το κουμπί δεξιόστροφα για να αρχίσει η λειτουργία. Η θερμοκρασία ρυθμίζεται από τη θέση του κουμπιού στην κλίμακα που αυξάνεται προοδευτικά ως τη μέγιστη τιμή (max.) (Μονή εστία)

5. Για διπλή εστία μαγειρέματος, ο πρώτος δακτύλιος λειτουργεί όπως και μια μονή εστία. Ο δεύτερος δακτύλιος αρχίζει να λειτουργεί μετά από πρόσθετη στροφή του κουμπιού με λίγο περισσότερη δύναμη δεξιόστροφα στο τέλος της περιοχής "max" του συμβόλου δακτυλίου. Όταν γυρίσετε το κουμπί δεξιόστροφα, ο πρώτος δακτύλιος θα λειτουργεί με τη μέγιστη ισχύ, ενώ η ισχύς του δεύτερου δακτυλίου θα μειώνεται ως την επιθυμητή θερμοκρασία. Στη θέση "0" απενεργοποιούνται όλοι οι δακτύλιοι.

Χρήση Ηλεκτρικών Εστιών

	Επίπεδο 1	Επίπεδο 2	Επίπεδο 3	Επίπεδο 4	Επίπεδο 5	Επίπεδο 6
80 mm	200 W	250 W	450 W	---	---	---
145 mm	250 W	750 W	1000 W	---	---	---
180 mm	500 W	750 W	1500 W	---	---	---
145 mm ταχεία	500 W	1000 W	1500 W	---	---	---
180 mm ταχεία	850 W	1150 W	2000 W	---	---	---
145 mm	95 W	155 W	250 W	400 W	750 W	1000 W
180 mm	115 W	175 W	250 W	600 W	850 W	1500 W
145 mm ταχεία	135 W	165 W	250 W	500 W	750 W	1500 W
180 mm ταχεία	175 W	220 W	300 W	850 W	1150 W	2000 W
220 mm	220 W	350 W	560 W	910 W	1460 W	2000 W

1. Οι ηλεκτρικές εστίες έχουν τυπικά 6 επίπεδα θερμοκρασίας. (όπως περιγράφεται παραπάνω)

2. Κατά την πρώτη χρήση, ρυθμίστε την ηλεκτρική σας εστία στη θέση 6 για 5 λεπτά. Αυτό θα κάνει το υλικό της ηλεκτρικής εστίας που είναι ευαίσθητο στη θερμότητα να σκληρύνει από την καύση.

3. Χρησιμοποιείτε κατά το δυνατόν σκεύη με επίπεδη βάση που θα έρχονται σε άμεση επαφή με τη θερμότητα, έτσι ώστε να χρησιμοποιείτε την ενέργεια πιο παραγωγικά.



Σωστός



Ανακριβής

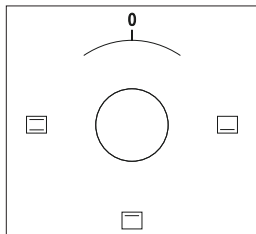


Ανακριβής



Ανακριβής

ΤΥΠΟΙ ΠΡΟΓΡΑΜΜΑΤΟΣ



Κουμπί τρόπου λειτουργίας: Χρησιμοποιείται για τον καθορισμό των αντιστάσεων που θα χρησιμοποιούνται για το μαγείρεμα στο φούρνο. Οι τύποι προγραμμάτων αντιστάσεων σε αυτό το κουμπί και οι λειτουργίες τους αναφέρονται παρακάτω. Μπορεί να μην είναι διαθέσιμοι σε όλα τα μοντέλα όλοι οι τύποι αντιστάσεων και οι τύποι προγραμμάτων που αποτελούνται από αυτές τις αντιστάσεις.

	Σούβλα		Ανεμιστήρας
	Πάνω και κάτω αντίσταση		Τούρμπο με αέρα
	Φως		Κάτω και πάνω αντίσταση με αέρα
	Κάτω αντίσταση με αέρα		Αντίσταση γκριλ με αέρα
	Αντίσταση γκριλ		Εστία αερίου του γκριλ / Αντίσταση γκριλ
	Αντίσταση με γκριλ		Πάνω αντίσταση
	Ηλεκτρικός χρονοδιακόπτης		Εστία αερίου φούρνου / Κάτω αντίσταση

ΠΡΟΕΙΔΟΠΟΙΗΣΗ: Μπορεί να μην είναι διαθέσιμοι σε όλα τα μοντέλα όλοι οι τύποι αντιστάσεων και οι τύποι προγραμμάτων που αποτελούνται από αυτές τις αντιστάσεις.

ΠΙΝΑΚΑΣ ΜΑΓΕΙΡΕΜΑΤΟΣ

ΠΡΟΕΙΔΟΠΟΙΗΣΗ: Ο φούρνος πρέπει να προθερμανθεί για 10 λεπτά πριν τοποθετήσετε το φαγητό σε αυτό.

Τρόφιμα	Μαγείρεμα Λειτουργία	Μαγείρεμα Θερμοκρασία (°C)	Σχάρα μαγειρέματος	Μαγείρεμα Χρόνος (λεπτά)
Κέικ	Στατική / Στατική + Ανεμιστήρας	170-180	2	35-45
Μικρά κέικ	Στατική / Τούρμπο + Ανεμιστήρας	170-180	2	25-30
Μπουρί	Στατική / Στατική + Ανεμιστήρας	180-200	2	35-45
Ζύμη	Στατική	180-190	2	25-30
Μπισκότα	Στατική	170-180	3	20-25
Μηλόπιτα	Στατική / Τούρμπο + Ανεμιστήρας	180-190	2	50-70
Παντεσπάνι	Στατική	200/150 *	2	20-25
Πίτσα	Στατική +Ανεμιστήρας	180-200	3	20-30
Λαζάνια	Στατική	180-200	2	25-40
Μαρέγγα	Στατική	100	2	60
Κοτόπουλο	Στατική +Ανεμιστήρας / Τούρμπο+Ανεμιστήρας	180-190	2	45-50
Ψητό κοτόπουλο **	Εσχάρα	200-220	4	25-30
Ψάρι ψημένο στο γκριλ **	Εσχάρα+Ανεμιστήρας	200-220	4	25-30
Κόντρα φιλέτο **	Εσχάρα+Ανεμιστήρας	Max.	4	15-20
Ψητά κεφτεδάκια **	Εσχάρα	Max.	4	20-25

* Χωρίς προθέρμανση. Το μισό μαγείρεμα θα πρέπει να είναι στους 200 °C και το άλλο μισό στους 150 °C.

** Κατά τη διάρκεια του μισού μαγειρέματος, το γεύμα πρέπει να είναι γυρισμένο.

ΣΥΝΤΗΡΗΣΗ ΚΑΙ ΚΑΘΑΡΙΣΜΟΣ

1. Κατά τη λειτουργία του φούρνου ή αμέσως μετά, ο φούρνος θα έχει πολύ υψηλή θερμοκρασία. Πρέπει να αποφεύγετε να αγγίζετε τις αντιστάσεις.

2. Μην καθαρίζετε ποτέ το εσωτερικό τμήμα, τον πίνακα, το κάλυμμα, τους δίσκους και όλα τα άλλα μέρη του φούρνου με εργαλεία όπως σκληρή βούρτσα, σύρμα ή μαχαίρι. Μην χρησιμοποιείτε υλικά ή καθαριστικά που χαράζουν.

3. Αφού καθαρίσετε τα εσωτερικά μέρη του φούρνου με ένα πανί με σαπούνι, ξεπλύνετε το και κατόπιν στεγνώστε σχολαστικά με ένα απαλό ύφασμα.

4. Καθαρίζετε τις γυάλινες επιφάνειες με ειδικά καθαριστικά για γυαλί.

5. Μην καθαρίζετε το φούρνο σας με ατμοκαθαριστές.

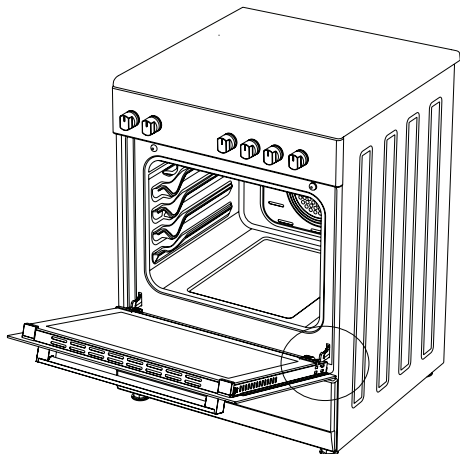
6. Πριν ανοίξετε το πάνω κάλυμμα του φούρνου, καθαρίστε το υγρό που χύθηκε από αυτό. Επίσης, πριν κλείσετε το κάλυμμα βεβαιωθείτε ότι η επιφάνεια της πλάκας εστιών έχει κρυώσει αρκετά.

7. Ποτέ μη χρησιμοποιείτε εύφλεκτα υλικά όπως οξύ, αραιωτικό χρωμάτων και βενζίνη κατά τον καθαρισμό του φούρνου σας.

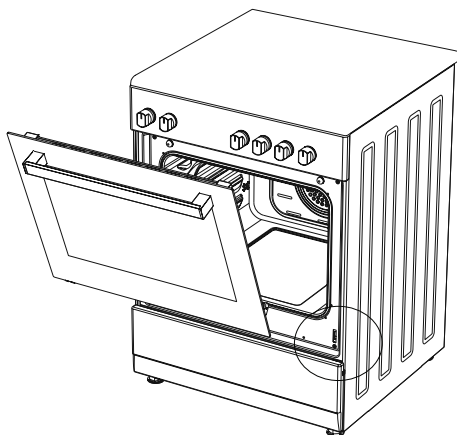
8. Μην πλένετε κανένα εξάρτημα του φούρνου σας σε πλυντήριο πιάτων.

9. Για να καθαρίσετε το μπροστινό γυάλινο κάλυμμα του φούρνου: αφαιρέστε τις βίδες που σταθεροποιούν τη λαβή με ένα κατσαβίδι και αφαιρέστε την πόρτα του φούρνου. Κατόπιν καθαρίστε και ξεπλύνετε σχολαστικά. Αφού στεγνώσει, τοποθετήστε το γυαλί του φούρνου σωστά και εγκαταστήστε ξανά τη λαβή.

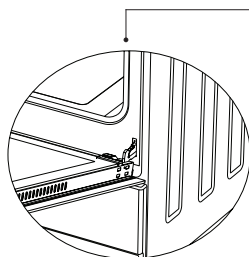
Αφαίρεση Της Πόρτας Του Φούρνου



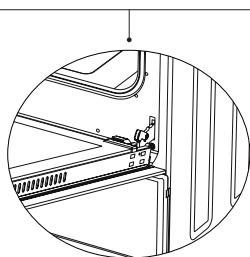
Εικόνα 2



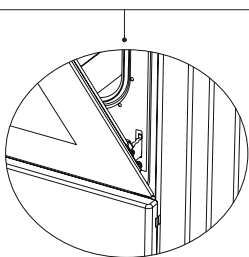
Εικόνα 3



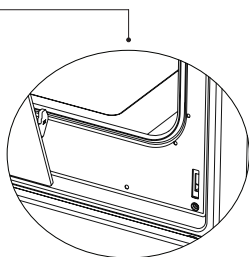
Εικόνα 2.1



Εικόνα 2.2



Εικόνα 3.1



Εικόνα 3.2

Ανοίξτε τελείως την πόρτα.
Στη συνέχεια, όπως φαίνεται στο **εικόνα 2.1** για να ολοκληρωθεί διαδικαστε τις οδηγίες του ξεκλειδώματος, για να ξεκλειδώσει η ασφάλεια με το τράβηγμα με τη βοήθεια ενός κατσαβιδιού.

Φέρτε την ασφάλεια τέρμα πίσω και κάτω, με την μεγαλύτερη γωνία όπως στο **εικόνα 2,2**. Κάντε το ίδιο και για τις δύο (αριστερή- δεξιά) ασφάλειες.

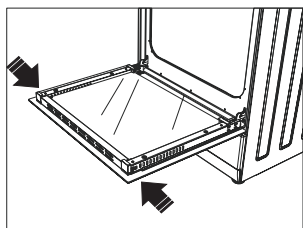
Στη συνέχεια, κλείστε την πόρτα του φούρνου μέχρι περίπου στη μέση όπως φαίνεται στην **εικόνα 3.1**.

Για την αφαίρεση της πόρτας του φούρνου, όταν πηγαίνει στην κλειστή θέση τραβήξτε την και με τα δύο χέρια σας έξω από τις βάσεις των μεντεσέδων όπως φαίνεται στην **εικόνα 3.2**.

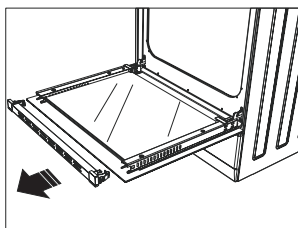
Για να τοποθετήσετε και πάλι την πόρτα του φούρνου κάνετε την αντίστροφη διαδικασία.

Καθαρισμος Και Συντηρηση Του Τζαμιου Στην Μπροστινη Πορτα Του Φουρνου

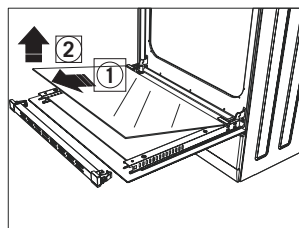
Αφαιρέστε το προφίλ πιέζοντας τις πλαστικές ασφάλειες στην αριστερή και δεξιά πλευρά όπως δείχνει η εικόνα 4 και τραβώντας το προφίλ προς το μέρος σας όπως δείχνει η εικόνα 5. Κατόπιν αφαιρέστε το εσωτερικό τζάμι όπως δείχνει η εικόνα 6. Αν απαιτείται, μπορείτε να αφαιρέσετε το μεσαίο τζάμι με τον ίδιο τρόπο. Μετά την ολοκλήρωση του καθαρισμού και της συντήρησης, επανατοποθετήστε τα τζάμια και το προφίλ με την αντίστροφη σειρά ενεργειών. Βεβαιωθείτε ότι το προφίλ έχει εδράσει σωστά στη θέση του.



Εικόνα 4



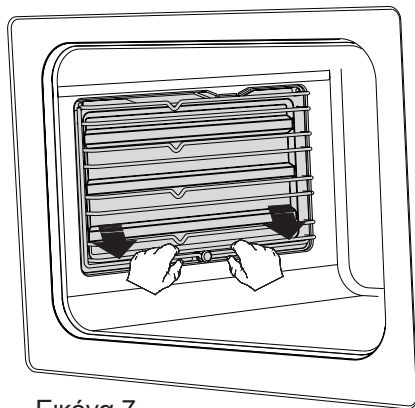
Εικόνα 5



Εικόνα 6

Καταλυτικά Τοιχώματα *

Τα καταλυτικά τοιχώματα βρίσκονται στην αριστερή και τη δεξιά πλευρά της κοιλότητας κάτω από τους οδηγούς. Τα καταλυτικά τοιχώματα εξαφανίζουν την άσχημη μυρωδιά και πετυχαίνουν την καλύτερη δυνατή μαγευτική απόδοση. Τα καταλυτικά τοιχώματα απορροφούν επίσης τα υπολείμματα λαδιών και καθαρίζουν το φούρνο σας, ενώ βρίσκεται σε λειτουργία.

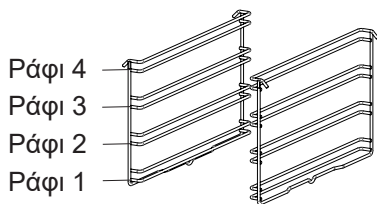


Εικόνα 7

Αφαίρεση των καταλυτικών τοιχωμάτων

Για να αφαιρέσετε τα καταλυτικά τοιχώματα, οι οδηγοί πρέπει να τραβηχτούν προς έξω. Μόλις οι οδηγοί αφαιρεθούν, τα καταλυτικά τοιχώματα θα απελευθερούν αυτόματα. Τα καταλυτικά τοιχώματα πρέπει να αλλάζουν μετά από 2-3 χρόνια.

Θέσεις Ραφιών



Είναι σημαντικό να τοποθετείτε τη συρμάτινη σχάρα σωστά μέσα στο φούρνο. Μην επιτρέψετε την επαφή των συρμάτινων ραφιών με το πίσω τοίχωμα του φούρνου. Οι θέσεις ραφιών φαίνονται στην παρακάτω εικόνα. Μπορείτε να τοποθετήσετε έναν βαθύ ή κανονικό δίσκο στα κάτω και πάνω συρμάτινα ράφια.

Εγκατάσταση και αφαίρεση συρμάτινων ραφιών

Για να αφαιρέσετε τα συρμάτινα ράφια, πιέστε τα κλιπ που φαίνονται με τα βέλη στην εικόνα, πρώτα αφαιρέστε την κάτω και κατόπιν την πάνω πλευρά από τη θέση εγκατάστασης. Για να εγκαταστήσετε τα συρμάτινα ράφια: αντιστρέψτε τη διαδικασία αφαίρεσής τους.

Αντικατάσταση Λαμπτήρα Φουρνου

Προειδοποίηση: Για να αποφύγετε τον κίνδυνο ηλεκτροπληξίας, βεβαιωθείτε ότι η συσκευή έχει αποσυνδεθεί από την παροχή ηλεκτρικού ρεύματος.

Πρώτα αποσυνδέστε την τροφοδοσία της συσκευής και βεβαιωθείτε ότι η συσκευή είναι κρύα.

Αφαιρέστε το προστατευτικό του γυαλιού στρέφοντας όπως φαίνεται στην εικόνα στα αριστερά. Εάν συναντάτε δυσκολία στην περιστροφή, μπορείτε να χρησιμοποιήσετε πλαστικά γάντια για να σας βοηθήσουν στην περιστροφή.

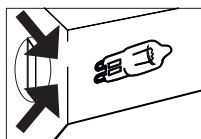
Στη συνέχεια, αφαιρέστε το λαμπτήρα περιστρέφοντας, εγκαταστήστε τη νέα λάμπα με ίδιες προδιαγραφές.

Επανεγκαταστήστε το προστατευτικό γυαλιού, συνδέστε το καλώδιο τροφοδοσίας της συσκευής σε ηλεκτρική πρίζα και ολοκληρώστε την αντικατάσταση. Τώρα μπορείτε να χρησιμοποιήσετε το φούρνο σας.

Λάμπα τύπου G9



220-240 V, AC
15-25 W



Εικόνα 8

Λάμπα τύπου E14



220-240 V, AC
15 W



Εικόνα 9

Χρήση προστατευτικού πάνελ (Για λειτουργία γκριλ) *

1. Έχει σχεδιαστεί ένα προστατευτικό πλαίσιο για την προστασία του πίνακα ελέγχου και των κουμπιών όταν ο φούρνος είναι σε λειτουργία γκριλ. (εικόνα 10)

2. Χρησιμοποιείτε αυτό το πλαίσιο ασφαλείας για να αποφύγετε ζημιά από θερμότητα στον πίνακα ελέγχου και στα κουμπιά όταν ο φούρνος είναι σε λειτουργία γκριλ.

ΠΡΟΕΙΔΟΠΟΙΗΣΗ: Τα προσπελάσιμα μέρη μπορεί να έχουν υψηλή θερμοκρασία κατά τη χρήση του γκριλ. Κρατάτε μακριά τα μικρά παιδιά.

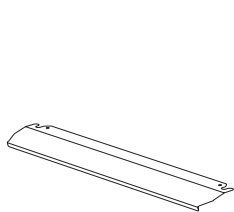
3. Τοποθετήστε το πλαίσιο ασφαλείας κάτω από τον πίνακα ελέγχου ανοίγοντας την μπροστινή γυάλινη πόρτα του φούρνου. (εικόνα 11)

4. Και κατόπιν στερεώστε το πλαίσιο ασφαλείας ανάμεσα στο φούρνο και στην μπροστινή πόρτα κλείνοντας απαλά την πόρτα. (εικόνα 12)

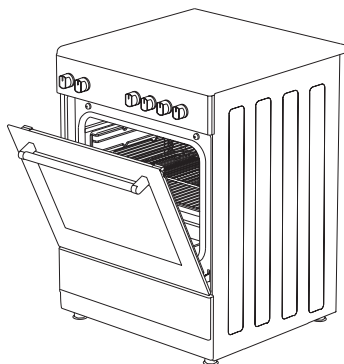
5. Είναι σημαντικό για το μαγείρεμα να κρατάτε την πόρτα ανοικτή στην προβλεπόμενη απόσταση όταν μαγειρεύετε σε λειτουργία γκριλ.

6. Το πλαίσιο ασφαλείας θα παρέχει ιδανικές συνθήκες μαγειρέματος ενώ παράλληλα θα προστατεύει τον πίνακα ελέγχου και τα κουμπιά.

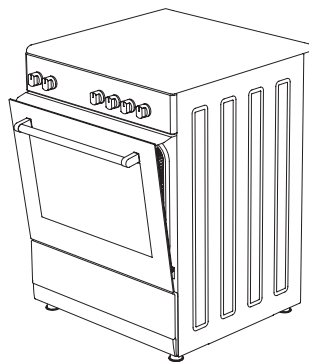
ΠΡΟΕΙΔΟΠΟΙΗΣΗ: Αν η κουζίνα έχει τον προαιρετικό εξοπλισμό "**λειτουργία κλειστού γκριλ**" με θερμοστάτη, μπορείτε να κρατήσετε την πόρτα του φούρνου κλειστή κατά τη λειτουργία του γκριλ - στην περίπτωση αυτή δεν θα είναι απαραίτητο το φύλλο εκτροπής για τη λειτουργία γκριλ.



Εικόνα 10



Εικόνα 11



Εικόνα 12

ΑΝΤΙΜΕΤΩΠΙΣΗ ΠΡΟΒΛΗΜΑΤΩΝ

Πριν καλέσετε το τεχνικό σέρβις μπορείτε να επιλύσετε τα προβλήματα που ενδέχεται να προκύψουν στο προϊόν ελέγχοντας τα παρακάτω σημεία.

Σημεία ελέγχου

Σε περίπτωση που αντιμετωπίσετε κάποιο πρόβλημα σχετικά με το φούρνο, ελέγξτε πρώτα τον παρακάτω πίνακα και δοκιμάστε αυτά που προτείνονται.

Πρόβλημα	Πιθανή αιτία	Τι πρέπει να κάνετε
Ο φούρνος δεν λειτουργεί.	Δεν υπάρχει τροφοδοσία ρεύματος.	Ελέγξτε εάν υπάρχει ρεύμα στην πρίζα.
Ο φούρνος σβήνει κατά το μαγείρεμα.	Ο φούρνος λειτουργεί συνεχώς για πολύ μεγάλα χρονικά διαστήματα.	Αφήνετε το φούρνο να κρυώσει μετά από μεγάλα διαστήματα μαγειρέματος.
Η πόρτα του φούρνου δεν ανοίγει σωστά.	Υπάρχουν υπολείμματα τροφίμων σφηνωμένα μεταξύ της πόρτας και του εσωτερικού θαλάμου.	Καθαρίστε το θάλαμο του φούρνου και προσπαθήστε ξανά να ανοίξετε την πόρτα.
Σας διαπερνά ηλεκτρικό ρεύμα (ηλεκτροσόκ) όταν ακουμπάτε το φούρνο.	Δεν υπάρχει κατάλληλη γείωση.	Βεβαιωθείτε ότι η παροχή του ρεύματος είναι σωστά γειωμένη.
	Χρησιμοποιείται πρίζα τοίχου χωρίς γείωση.	
Στάζει νερό.	Ανάλογα με το φαγητό που μαγειρεύεται, μπορεί να παραχθεί νερό ή ατμός υπό ορισμένες συνθήκες. Αυτό δεν είναι βλάβη της συσκευής.	Αφήστε το φούρνο να κρυώσει και στεγνώστε τον σκουπίζοντάς τον με ένα πανί.
Εξέρχεται ατμός από μια ρωγμή στην πόρτα του φούρνου.		
Παραμένει νερό μέσα στο φούρνο.		
Βγαίνει καπνός κατά τη διάρκεια της λειτουργίας.	Όταν χρησιμοποιείτε το φούρνο για πρώτη φορά	παράγεται καπνός από τα θερμογνικά στοιχεία. Αυτό δεν αποτελεί βλάβη. Μετά από 2-3 κύκλους λειτουργίας, δεν θα παράγεται πλέον καπνός.
	Φαγητό επάνω στο θερμογνικό στοιχείο.	Αφήστε το φούρνο να κρυώσει και καθαρίστε τα υπολείμματα τροφίμων πάνω από το θερμογνικό στοιχείο.

Πρόβλημα	Πιθανή αιτία	Τι πρέπει να κάνετε
Όταν λειτουργεί ο φούρνος, μυρίζει καμένο ή πλαστικό.	Χρησιμοποιούνται πλαστικά ή άλλα μη θερμοάντοχα εξαρτήματα μέσα στο φούρνο.	Για υψηλές θερμοκρασίες, χρησιμοποιείτε κατάλληλα μαγειρικά σκεύη.
Ο φούρνος δεν ζεσταίνεται.	Είναι ανοικτή η πόρτα του φούρνου.	Κλείστε την πόρτα και προσπαθήστε πάλι.
	Δεν έχουν ρυθμιστεί σωστά τα κουμπιά του φούρνου.	Ανατρέξτε στην ενότητα σχετικά με τη λειτουργία του φούρνου και ρυθμίστε σωστά το φούρνο.
	Κάηκε κάποια ασφάλεια ή έπεσε κάποιος ασφαλειοδιακόπτης.	Αντικαταστήστε την ασφάλεια ή επαναφέρετε τον ασφαλειοδιακόπτη. Εάν αυτό επαναλαμβάνεται συχνά, καλέστε έναν ηλεκτρολόγο.
Ο φούρνος δεν μαγειρεύει καλά.	Η πόρτα του φούρνου ανοίγεται συχνά κατά το μαγείρεμα.	Μην ανοίγετε συχνά την πόρτα του φούρνου, εάν το φαγητό που μαγειρεύετε δεν χρειάζεται γύρισμα. Εάν ανοίγετε συχνά την πόρτα, η εσωτερική θερμοκρασία του φούρνου πέφτει και, κατά συνέπεια, επηρεάζεται το αποτέλεσμα του μαγειρέματος.
Το εσωτερικό φως είναι χαμηλό ή δεν λειτουργεί.	Κάποιο ξένο σώμα καλύπτει τη λάμπα κατά τη διάρκεια του μαγειρέματος.	Καθαρίστε την εσωτερική επιφάνεια του φούρνου και ελέγξτε ξανά το φως.
	Ίσως έχει καεί ο λαμπτήρας.	Αντικαταστήστε τον με λαμπτήρα ίδιων προδιαγραφών.

ΚΑΝΟΝΕΣ ΧΕΙΡΙΣΜΟΥ

- 1.** Μη χρησιμοποιείτε την πόρτα και/ή τη λαβή για τη μεταφορά ή τη μετακίνηση της συσκευής.
- 2.** Η μετακίνηση και μεταφορά πρέπει να γίνεται μέσα στην αρχική συσκευασία.
- 3.** Προσέχετε πάρα πολύ τη συσκευή κατά το φόρτωμα/το ξεφόρτωμα και το χειρισμό.
- 4.** Βεβαιωθείτε ότι η συσκευασία είναι καλά κλεισμένη κατά το χειρισμό και τη μεταφορά.
- 5.** Προστατέψτε τη συσκευασία από εξωτερικούς παράγοντες (όπως είναι η υγρασία, το νερό κλπ.) που μπορεί να της προξενήσουν ζημιά.
- 6.** Προσέξτε να μην προκαλέσετε ζημιά στη συσκευή λόγω χτυπημάτων, προσκρούσεων, πτώσεων κλπ. όσο τη χειρίζεστε και τη μεταφέρετε και να μην τη σπάσετε ή παραμορφώσετε κατά τη λειτουργία.

ΠΡΟΤΑΣΕΙΣ ΓΙΑ ΕΞΟΙΚΟΝΟΜΗΣΗ ΕΝΕΡΓΕΙΑΣ

Οι παρακάτω λεπτομέρειες θα σας βοηθήσουν να χρησιμοποιείτε το προϊόν οικολογικά και οικονομικά.

- 1.** Μέσα στο φούρνο χρησιμοποιείτε δοχεία σκούρου χρώματος και από εμαγιέ, που έχουν καλά χαρακτηριστικά μεταφοράς θερμότητας.
- 2.** Κατά το μαγείρεμα του φαγητού σας, αν η συνταγή ή το εγχειρίδιο χρήσης υποδεικνύει ότι απαιτείται προθέρμανση, προθερμάνετε το φούρνο.
- 3.** Μην ανοίγετε συχνά την πόρτα του φούρνου κατά το μαγείρεμα.
- 4.** Προσπαθήστε να μην μαγειρεύετε στο φούρνο πολλά φαγητά ταυτόχρονα. Μπορείτε να μαγειρεύετε ταυτόχρονα τοποθετώντας δύο μαγειρικά σκεύη στη συρμάτινη σχάρα.
- 5.** Μαγειρεύετε πολλαπλά φαγητά το ένα μετά το άλλο. Έτσι δεν θα υπάρχει απώλεια θερμότητας στο φούρνο.
- 6.** Σβήνετε το φούρνο λίγα λεπτά πριν το χρόνο λήξης του μαγειρέματος. Στην περίπτωση αυτή, μην ανοίξετε την πόρτα του φούρνου.
- 7.** Αφήνετε τα κατεψυγμένα τρόφιμα να ξεπαγώνουν πριν τα μαγειρέψετε.

ΑΠΟΡΡΙΨΗ ΜΕ ΤΡΟΠΟ ΦΙΛΙΚΟ ΠΡΟΣ ΤΟ ΠΕΡΙΒΑΛΛΟΝ



Απορρίψτε τη συσκευασία με τρόπο φιλικό για το περιβάλλον. Αυτή η συσκευή έχει σημειωθεί σύμφωνα με την Ευρωπαϊκή Οδηγία 2012/19/ΕΕ σχετικά με τα Απόβλητα Ηλεκτρικού και Ηλεκτρονικού Εξοπλισμού (ΑΗΗΕ). Η Οδηγία αυτή καθορίζει το πλαίσιο για την επιστροφή και ανακύκλωση χρησιμοποιημένων συσκευών με πεδίο εφαρμογής σε όλη την ΕΕ.

ΠΛΗΡΟΦΟΡΪΕΣ ΣΧΕΤΙΚΑ ΜΕ ΤΗ ΣΥΣΚΕΥΑΣΪΑ

Τα υλικά συσκευασίας της συσκευής είναι κατασκευασμένα από ανακυκλώσιμα υλικά σύμφωνα με τους εθνικούς μας κανονισμούς περιβάλλοντος. Μην απορρίπτετε τα υλικά συσκευασίας μαζί με οικιακά ή άλλα απόβλητα. Παραδώστε τα στα σημεία συλλογής υλικών συσκευασίας που έχουν ορίσει οι τοπικές αρχές.